

# SANMOTION

## LINEAR SERVO MOTOR

### Linear Servo Motor

Flat type with core

#### High Acceleration Motion

With a smaller and lighter linear motor coil compared to our conventional product,\* this motor features an increased maximum thrust and a 7% higher maximum acceleration. Also, the thrust at high speeds has been increased for fast acceleration and deceleration even at high speeds. This reduces the cycle time of your equipment and increases productivity.

#### Energy Saving

Power loss has been reduced by 10% compared to the conventional product,\* making your equipment more energy efficient. The motor's low heat generation keeps thermal expansion low, consistently providing high precision.

\* Conventional product: Flat type linear servo motor with core (model no.: DS045CC1AN)

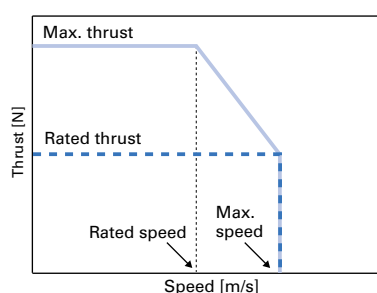


#### Specifications

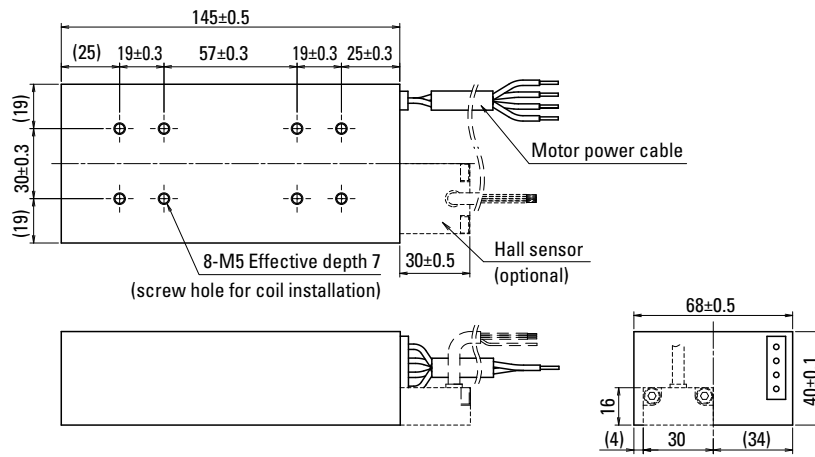
Coil model no.	Rated thrust [N]	Max. thrust [N]	Rated speed [m/s]	Max. speed [m/s]	Magnetic attraction force [N]	Mover mass [kg]	Compatible magnet rail model no.	Compatible servo amplifier model no.
DS050CD1AN	340	630	2.0	3.0	2000	2.15	DS050MD□□□□	RS3A03

Magnet rail model no.	Magnet rail mass [kg]	Dimensions [mm]			
		L1	L2	N1	N2
DS050MD064	0.22	64	32	1	4
DS050MD128	0.45	128	96	3	8
DS050MD256	0.9	256	224	7	16
DS050MD512	1.8	512	480	15	32

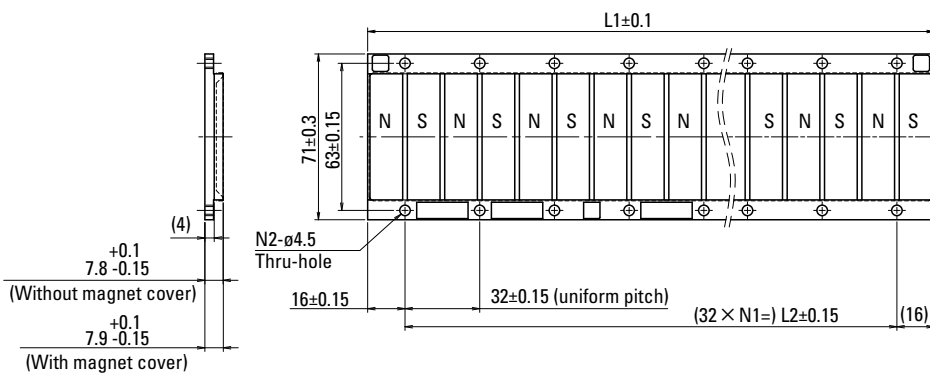
#### Thrust-Speed Characteristics



### Coil dimensions



### Magnet rail dimensions



### Recommended assembly example

