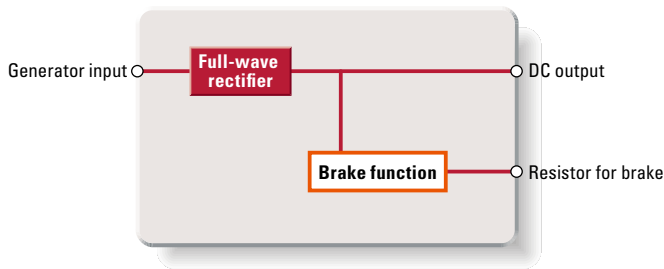


Rectifier for Wind Power and Hydro Power Generation Systems

SANUPS W75A

11 kW Output Capacity – Ideal for 10 kW Systems

Circuit block diagram



Protection Functions

(Brake, Abnormal Temperature Detection)

- The product has protection functions for ensuring reliable power generation, including a function for detecting abnormal temperatures and a brake function to prevent damage to the inverter when an unexpected amount of power is generated by wind turbines or hydroelectric generators.

Generator Speed Monitoring

- It has a function to output the speed of generators, enabling the monitoring of generator operating status via external computers.

Applicable to Biomass and Geothermal Power Generation

- Use of this rectifier is not limited to wind and hydroelectric power generation systems. It can be used in a variety of renewable energy generation systems, including biomass and geothermal power generation.

IP65-Rated Ingress Protection⁽¹⁾

- The W75A features superior waterproof and dustproof performance. By combining it with our SANUPS W73A inverter that has an equal level of protection, systems with high environmental durability can be built.

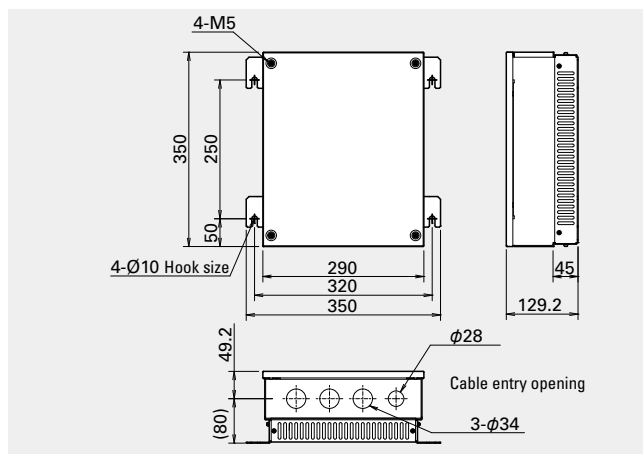
(1) The degree of protection (IP code) is defined by IEC 60529 (International Electrotechnical Commission).

IP- **6** **5**

Protection against dust	
6	Complete protection against dust

Protection against water	
5	Protection against low pressure water jets

Dimensions (Unit: mm)



Mass: Approx. 10 kg

Specifications

Item	Model no.	W75A113	Remarks
Main circuit type		Full-wave rectifier	
Cooling system		Passive air cooling	
Rated output		11 kW	The generator output should be 11 kW or less. If exceeding the value, contact us.
AC input	No. of phases/wires	3-phase 3-wire	
	Rated voltage	300 VAC	
	Maximum allowable voltage	420 VAC	Take necessary measures at the generator side to ensure that a voltage higher than the maximum allowable input voltage will not be applied.
	Input operating voltage range	106 to 420 VAC	Rated output range: 176 to 420 VAC
	Input frequency range	0 to 400 Hz	
	Rated input current	30 AAC	At a power factor setting of 0.7
DC output	Number of circuits	1 circuit	
	Current type	Direct current	
	Rated voltage	420 VDC	
	Maximum current	45 ADC	
	Rated current	26 ADC	
Brake	Voltage range	0 to 600 VDC	
	Operation voltage	530 VDC	Release voltage: 400 VDC
Current	Mean: 25 A max.		
Efficiency		99%	Efficiency measurement method in accordance with JIS C 8961: 2008
Acoustic noise		25 dBA or less	At 1 m high, 1 m from the front of the unit
Operating environment	Operating temperature range	-25 to +60°C	When using in combination with a SANUPS W73A inverter in the same environment
	Relative humidity	90% or less (non-condensing)	
	Altitude	2,000 m or less	
Protection rating		IP65	
Enclosure material		SUS430	Thickness 1.2 mm

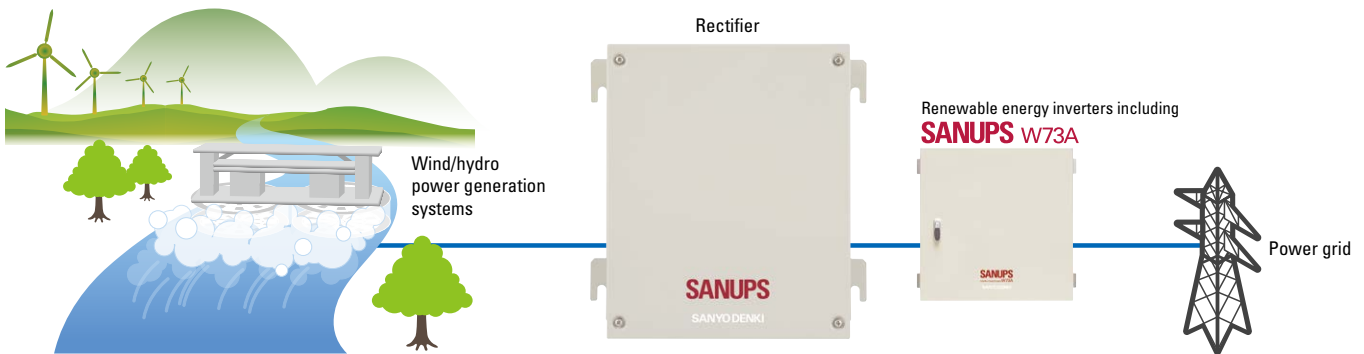
Functions

DC voltage rise control function (Brake function) This requires an external shunt resistor

Speed contact output $(P/2)$ pulse/revolution, $N = 120 / P \times f$ P: Number of poles of generator, N: Speed of generator (rpm), f: Frequency of generator speed contact output (Hz)

Temperature rise alarm contact output 95°C, normally-closed contact

Configuration example



■ Eco Products

SANYO DENKI's ECO PRODUCTS are designed with the concept of lessening impact on the environment in the process from product development to waste. The product units and packaging materials are designed for reduced environmental impact. We have established our own assessment criteria on the environmental impacts applicable to all processes, ranging from design to manufacture. Those products that satisfy the criteria are accredited as ECO PRODUCTS.

SANYO DENKI CO., LTD. 3-33-1 Minami-Otsuka, Toshima-ku, Tokyo 170-8451, Japan TEL: +81 3 5927 1020

<https://www.sanyodenki.com>

The names of companies and/or their products specified in this catalog are the trade names, and/or trademarks and/or registered trademarks of such respective companies.

SANUPS is a trademark of SANYO DENKI CO., LTD.

Specifications are subject to change without notice.

CATALOG No. P1047B001 '20.1