

**80**mm sq.

# San Ace 80



## General Specifications

- Material ..... Frame: Plastics (Flammability: UL94V-0),  
Impeller: Plastics (Flammability: UL94V-0)
- Expected Life ..... Refer to specifications (L10: Survival rate: 90% at 60°C ,  
rated voltage, and continuously run in a free air state)
- Lead Wire ..... ⊕red ⊖black (Sensor) yellow (Control) brown
- Storage Temperature ..... -30°C to +70°C (Non-condensing)

**80×80×25mm** (Mass : 110g) **9GA type** **Low Noise Low Power Consumption Fan**

## Specifications

The following nos. **have PWM controls, pulse sensors, and ribs.** For ribless, append "1" to the model no.

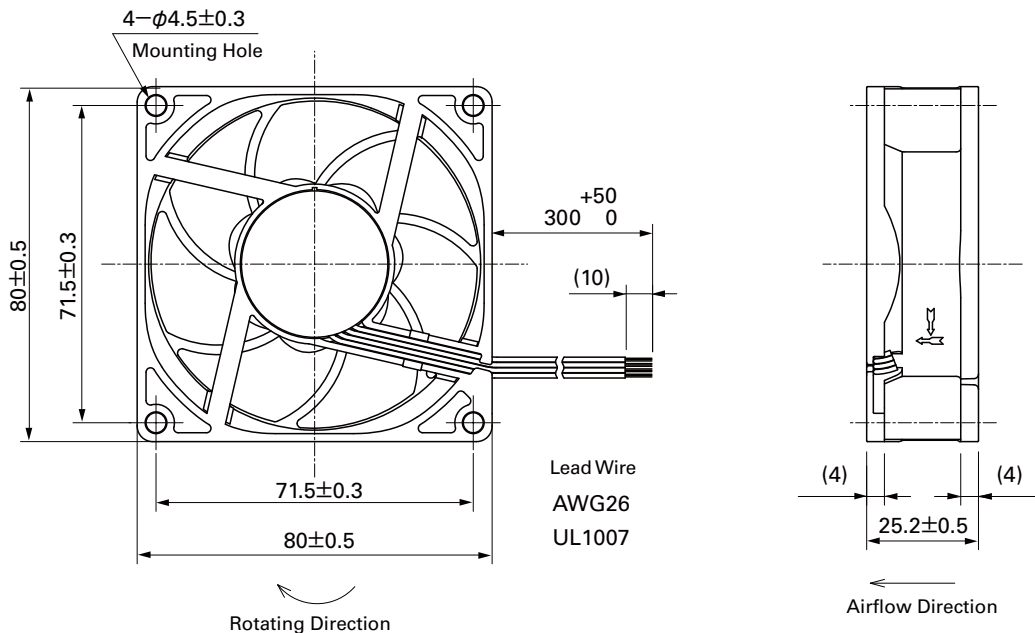
Model No.	Rated Voltage [V]	Operating Voltage Range [V]	PWM duty cycle* [%]	Rated Current [A]	Rated Input [W]	Rated Speed [min <sup>-1</sup> ]	Max. Airflow [m <sup>3</sup> /min] [CFM]	Max. Static Pressure [Pa] [inchH <sub>2</sub> O]	SPL [dB(A)]	Operating Temperature [°C]	Expected Life <sup>nom</sup> [h]
9GA0812P4J001	12	10.8 to 13.2	100	0.6	7.2	7,400	2.07 73.0	177.6 0.7	48	-20 to +70	40,000/60°C (70,000/40°C)
			25	0.08	0.96	2,500	0.69 24.3	20.2 0.08	21		
9GA0812P4G001			100	0.48	5.76	6,800	1.91 67.4	150 0.6	45		
			25	0.06	0.72	1,500	0.42 14.8	7.2 0.02	17		
9GA0812P4H001			100	0.22	2.64	5,200	1.46 51.5	87.7 0.35	37		
			25	0.06	0.72	1,600	0.44 15.5	8.3 0.03	17		
9GA0824P4J001	24	21.6 to 26.4	100	0.28	6.72	7,400	2.07 73.0	177.6 0.7	48		
			25	0.06	1.44	2,800	0.78 27.5	25.4 0.1	23		
9GA0824P4G001			100	0.21	5.04	6,800	1.91 67.4	150 0.6	45		
			25	0.04	0.96	2,100	0.58 20.4	14.3 0.05	19		
9GA0824P4H001			100	0.1	2.4	5,200	1.46 51.5	87.7 0.35	37		
			25	0.02	0.48	1,500	0.42 14.8	7.2 0.02	17		

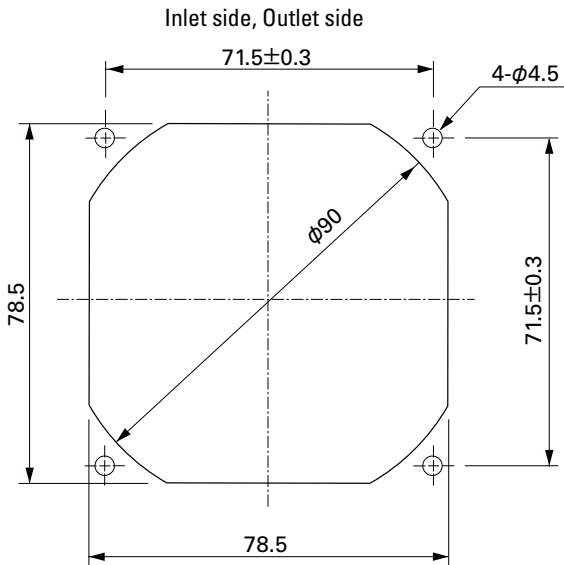
Note: Expected life at 40°C ambient is just reference value.

※PWM Frequency : 25kHz

Models without sensors or with pulse sensors (no PWM function) are available as options. Please refer to the index (p. 475).

## Dimensions (unit: mm) (With ribs)

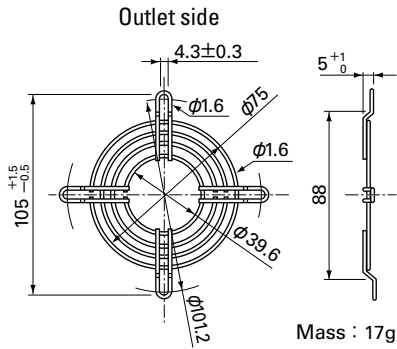




Options (unit: mm)

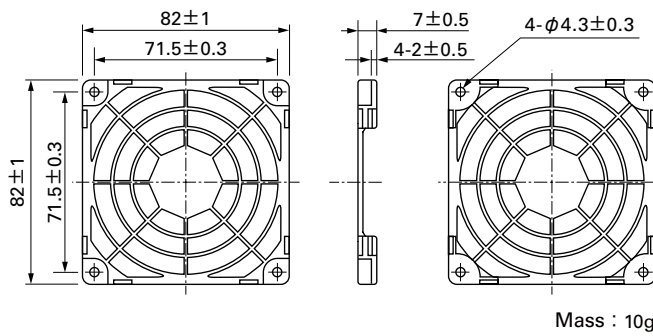
Finger Guards

Model : 109-049C Surface treatment : Nickel-chrome plating (silver) Color : Nickel-chrome plating (silver)



Resin Finger Guards

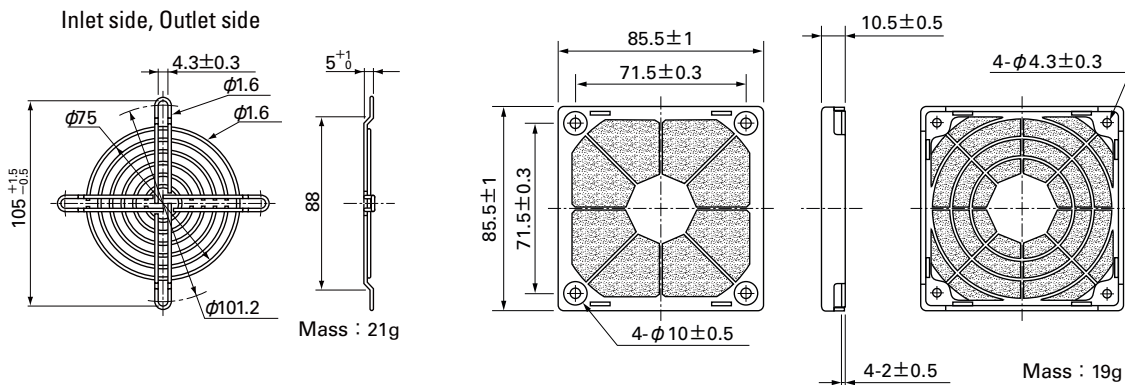
Model : 109-1002G



Model : 109-049E Surface treatment : Nickel-chrome plating (silver) Color : Nickel-chrome plating (silver)  
: 109-049H : Cation electropainting (black)

Resin Filter Kits

Model : 109-1002F13 (13PPI), 109-1002F20 (20PPI)  
: 109-1002F30 (30PPI), 109-1002F40 (40PPI)



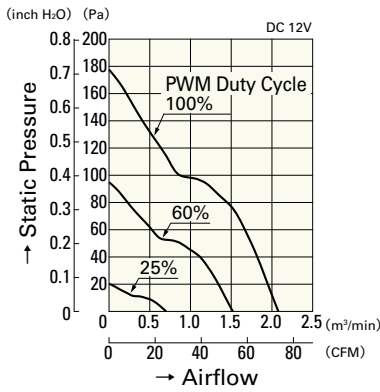
**80** mm sq.

# San Ace 80

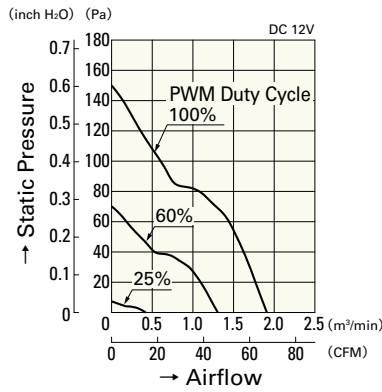
**80×80×25**mm [Mass : 110g]

## Airflow - Static Pressure Characteristics

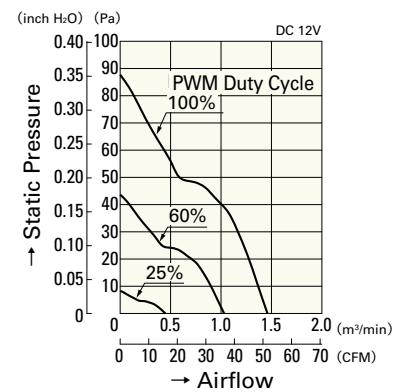
### PWM Duty Cycle



**9GA0812P4J001**

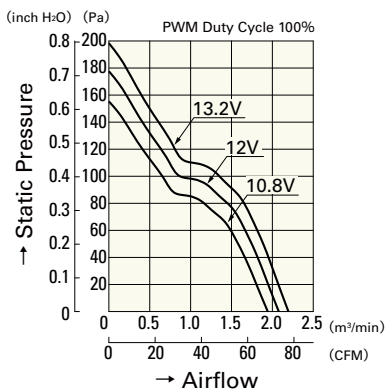


**9GA0812P4G001**

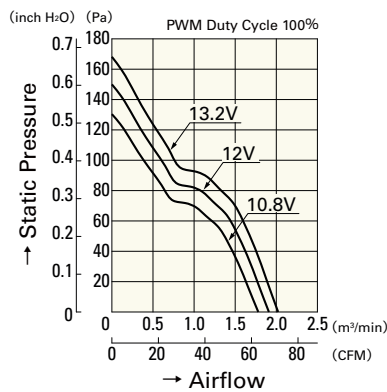


**9GA0812P4H001**

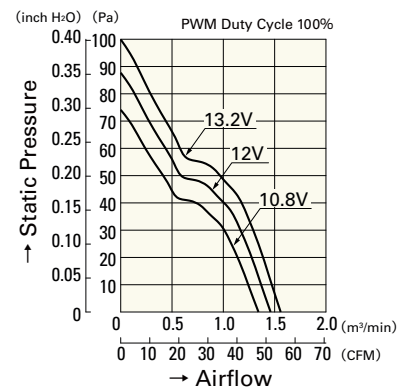
### Operating Voltage Range



**9GA0812P4J001**

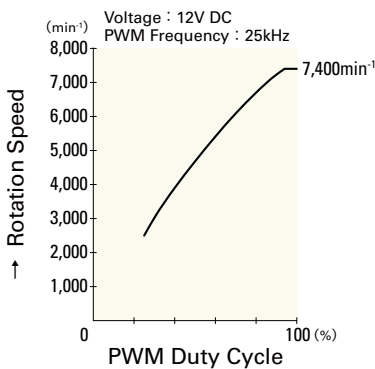


**9GA0812P4G001**

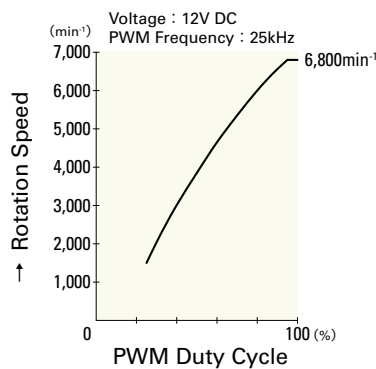


**9GA0812P4H001**

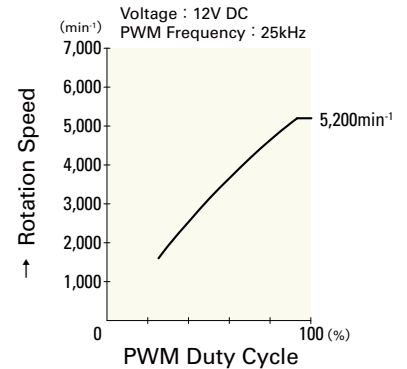
## PWM Duty - Speed Characteristics Example



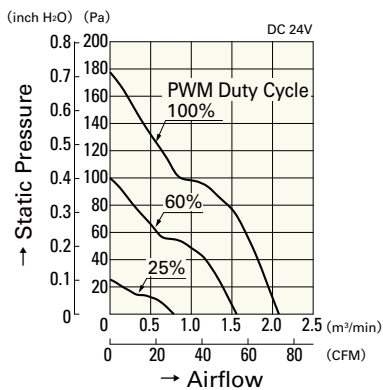
**9GA0812P4J001**



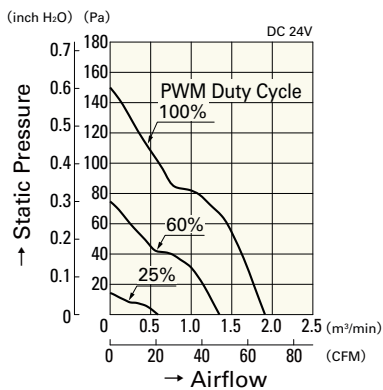
**9GA0812P4G001**



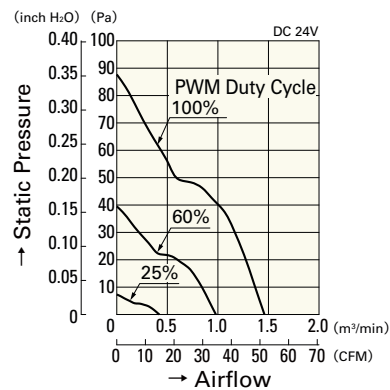
**9GA0812P4H001**



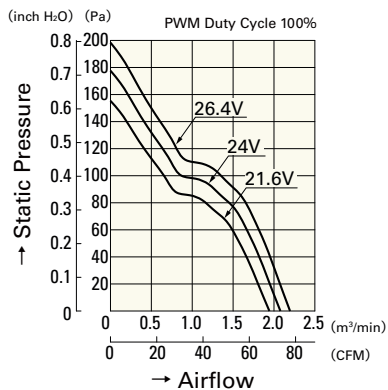
**9GA0824P4J001**



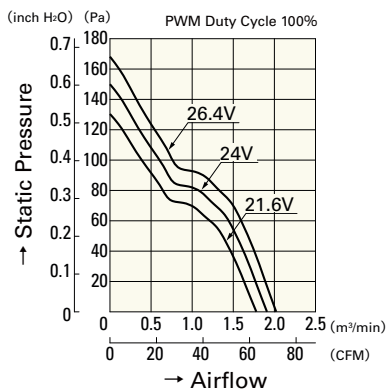
**9GA0824P4G001**



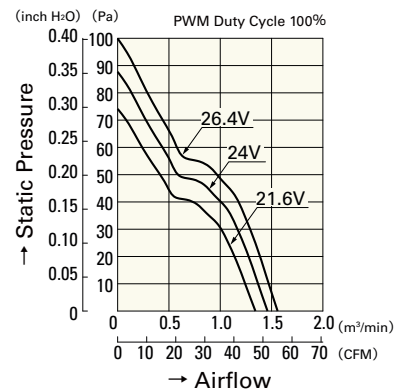
**9GA0824P4H001**



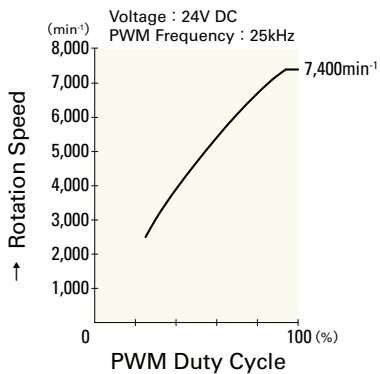
**9GA0824P4J001**



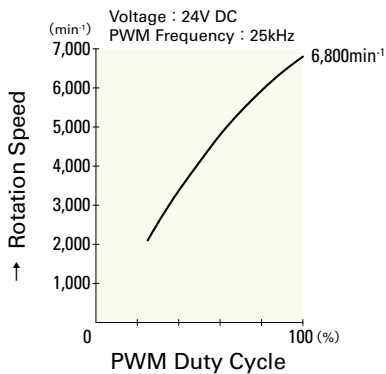
**9GA0824P4G001**



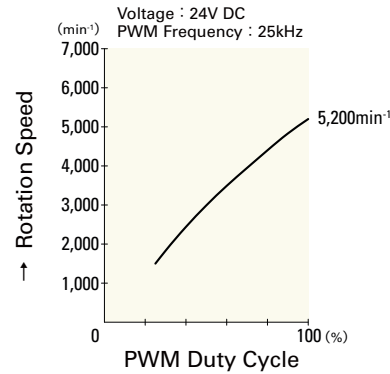
**9GA0824P4H001**



**9GA0824P4J001**



**9GA0824P4G001**



**9GA0824P4H001**