

36 mm sq.

San Ace 36



General Specifications

- Material Frame: Plastics (Flammability: UL94V-0),
Impeller: Plastics (Flammability: UL94V-1)
- Expected Life Refer to specifications (L10:Survival rate:90% at 60°C ,
rated voltage, and continuously run in a free air state)
- Lead Wire ⊕red ⊖black (Sensor) yellow (Control) brown
(For models without PWM control function, there is no
speed control wiring.)
- Storage Temperature -20°C to +70°C (Non-condensing)

36×36×28mm (Mass : 46g) **9GX type** **9GV type**

Specifications The following nos. have PWM controls, pulse sensors, and ribs.

Model No.	Rated Voltage [V]	Operating Voltage Range [V]	PWM duty cycle [%]	Rated Current [A]	Rated Input [W]	Rated Speed [min ⁻¹]	Max. Airflow [m ³ /min] [CFM]	Max. Static Pressure [Pa] [inchH ₂ O]	SPL [dB(A)]	Operating Temperature [°C]	Expected Life ^{rated} [h]
9GX3612P3K001	12	10.8 to 13.2	100	1.3	15.6	24,000	0.69 24.4	838 3.367	66	-10 to +60	40,000/60°C (70,000/40°C)
			0	0.07	0.84	3,200	0.09 3.2	14.0 0.056	32		

Note: Expected life at 40°C ambient is just reference value.

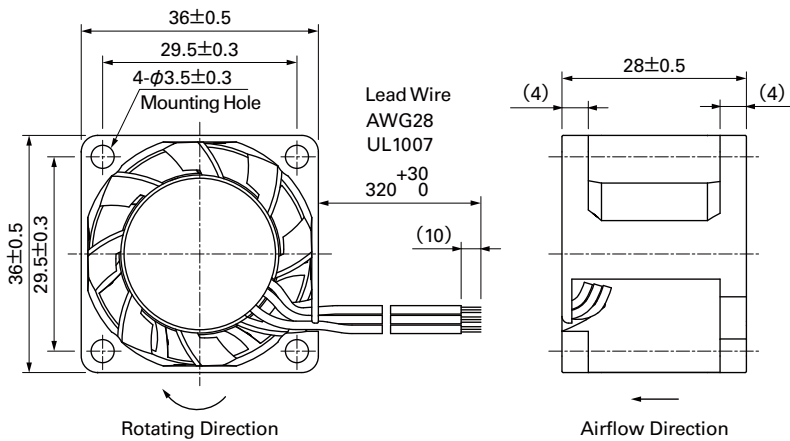
※PWM Frequency : 25kHz

Specifications The following nos. have pulse sensors and ribs.

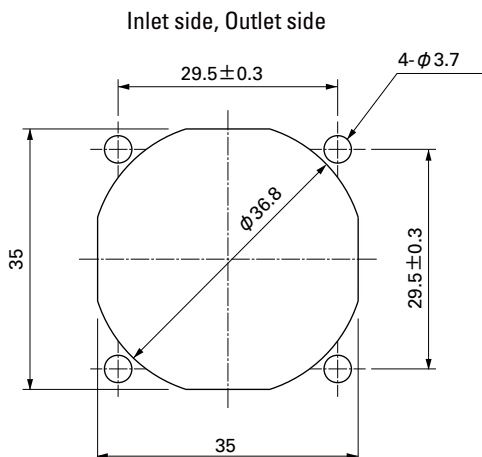
Models without sensors or with PWM control function are available as options. Please refer to the index (p. 478).

Model No.	Rated Voltage [V]	Operating Voltage Range [V]	Rated Current [A]	Rated Input [W]	Rated Speed [min ⁻¹]	Max. Airflow [m ³ /min] [CFM]	Max. Static Pressure [Pa] [inchH ₂ O]	SPL [dB(A)]	Operating Temperature [°C]	Expected Life [h]
9GV3612J301	12	7.0 to 13.2	0.75	9.0	19,000	0.55 19.4	525 2.108	58.5	-20 to +60	40,000/60°C
9GV3612G301			0.34	4.08	14,000	0.40 14.1	275 1.104	52.0		

Dimensions (unit: mm) (With pulse sensor)



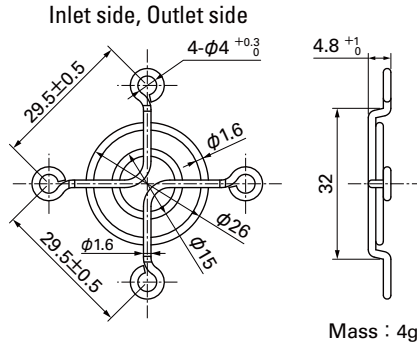
Reference Dimensions of Mounting Holes and Vent Opening (unit: mm)



Options (unit: mm)

Finger Guards

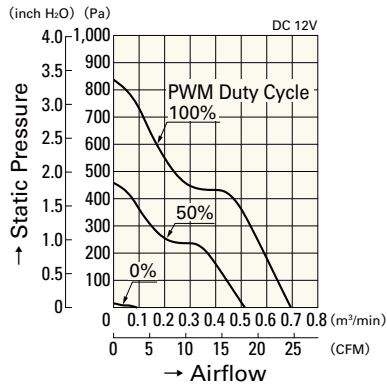
Model : 109-1050 Surface treatment : Nickel-chrome plating (silver) Color



Airflow - Static Pressure Characteristics

PWM Duty Cycle

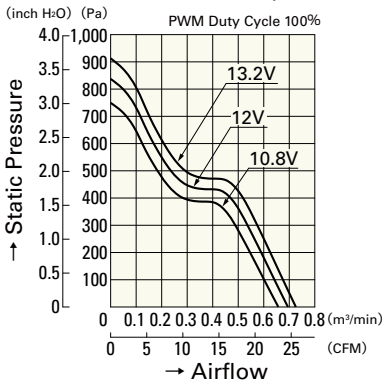
With PWM control function · With pulse sensor



9GX3612P3K001

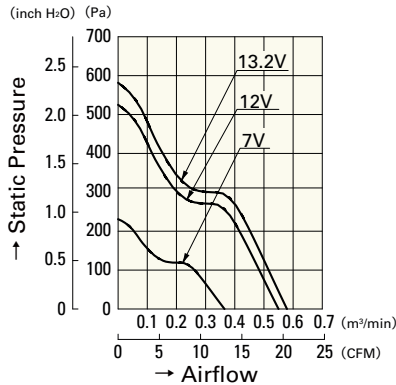
Operating Voltage Range

With PWM control function · With pulse sensor



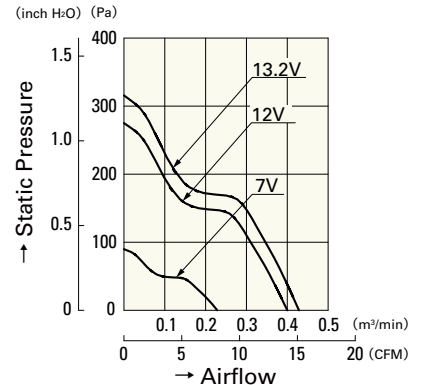
9GX3612P3K001

J speed



9GV3612J301

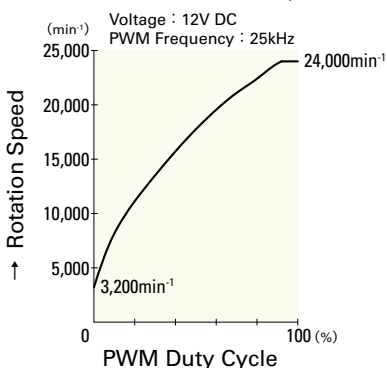
G speed



9GV3612G301

PWM Duty - Speed Characteristics Example

With PWM control function · With pulse sensor



9GX3612P3K001