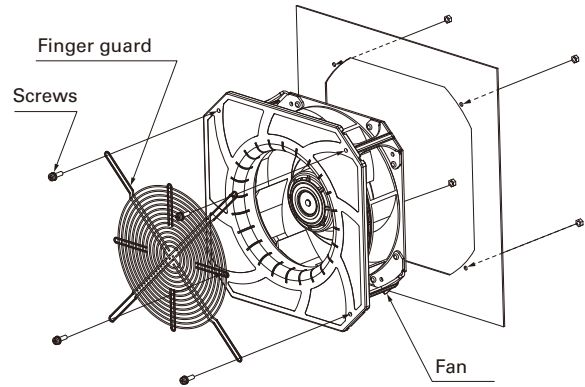
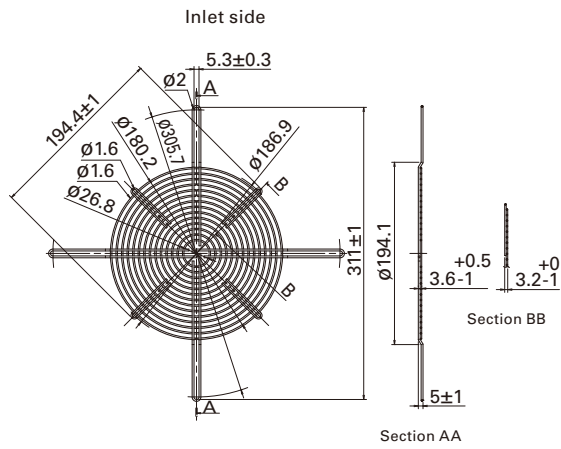


Increases safety by preventing foreign objects from entering fans. Fans can be used with little effect on airflow and static pressure.

270 mm sq. type (for Bracket-mounted Centrifugal Fan)

Model no.	Surface treatment	Mass (g)
109-1146	Nickel-chrome plating (silver)	106
109-1146H	Cation electropainting (black)	

Finger guard 109-1146 and 109-1146H should be mounted with four holes as in the drawing.



● No nuts or screws for use in attachment included.