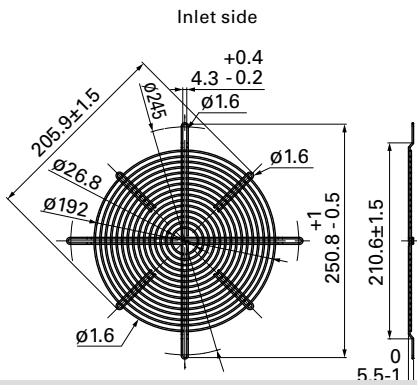


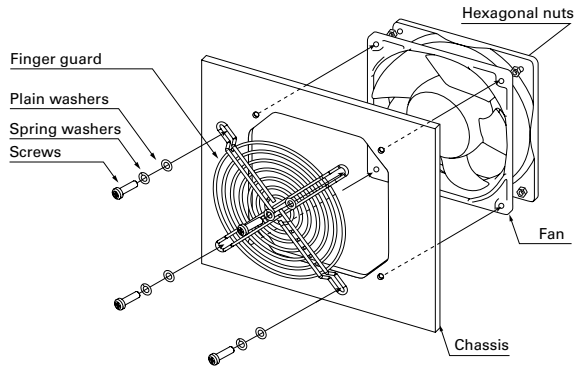
**ø221 mm type**

Model no.	Surface treatment	Mass (g)
109-1138	Nickel-chrome plating (silver)	105
109-1138H	Cation electropainting (black)	



**Mounting example**

Axial fan



Centrifugal fan

