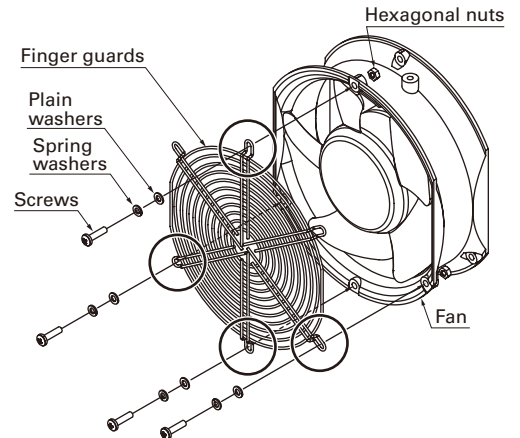
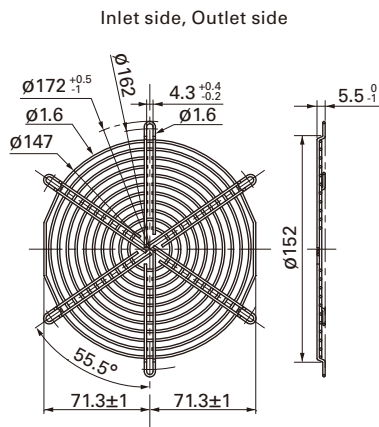


Increases safety by preventing foreign objects from entering fans. Fans can be used with little effect on airflow and static pressure.

ø172 mm Sidecut type

Model no.	Surface treatment	Mass (g)	Applicable model no.
109-319J	Nickel-chrome plating (silver)	65	9SG57*/9GV57* 9CR57*/9WG57*

Finger guard 109-319J should be mounted with four holes as in the drawing.

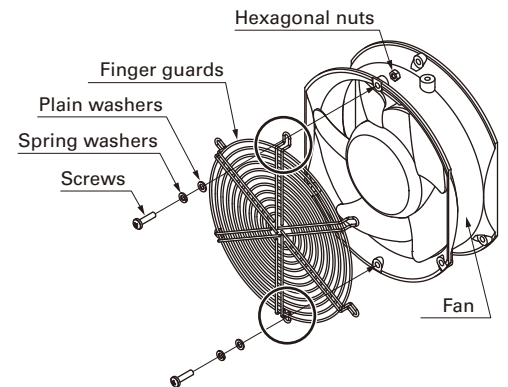
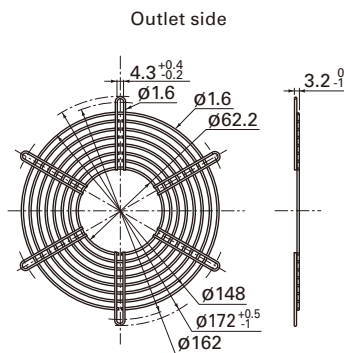
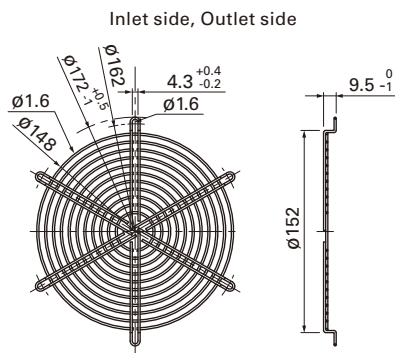


● No nuts or screws for use in attachment included.

ø172 mm Sidecut, Round type

Model no.	Surface treatment	Mass (g)	Model no.	Surface treatment	Mass (g)
109-319E	Nickel-chrome plating (silver)	69	109-320	Nickel-chrome plating (silver)	53
109-319H	Cation electropainting (black)				

Finger guards 109-319E, 109-319H, and 109-320 should be mounted with two holes as in the drawing and do not use any other holes.



● No nuts or screws for use in attachment included.

ø172 mm Round type

Model no.	Surface treatment	Mass (g)	Model no.	Surface treatment	Mass (g)
109-1066	Nickel-chrome plating (silver)	61	109-1068	Nickel-chrome plating (silver)	54

Mounting example

Axial

