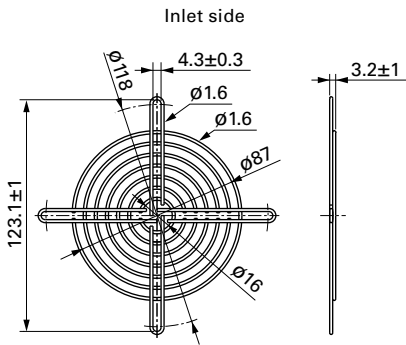


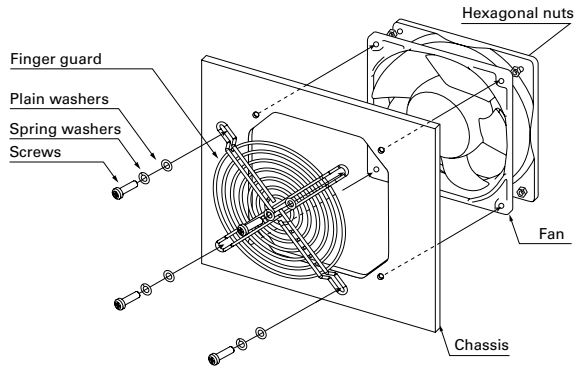
**∅133 mm type**

Model no.	Surface treatment	Mass (g)
109-1112	Nickel-chrome plating (silver)	65



**Mounting example**

Axial fan



Centrifugal fan

