

92mm sq.

San Ace 92



General Specifications

- Material Frame: Plastics (Flammability: UL94V-0),
Impeller: Plastics (Flammability: UL94V-1)
- Expected Life Refer to specifications (L10:Survival rate:90% at 60°C ,
rated voltage, and continuously run in a free air state)
- Lead Wire ⊕red ⊖black (Sensor) yellow (Control) brown
- Storage Temperature -30°C to +70°C (Non-condensing)

92×92×38mm (Mass : 250g) **9HV type**

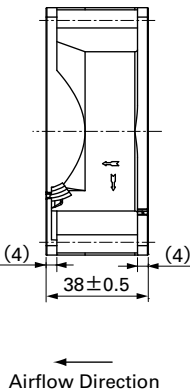
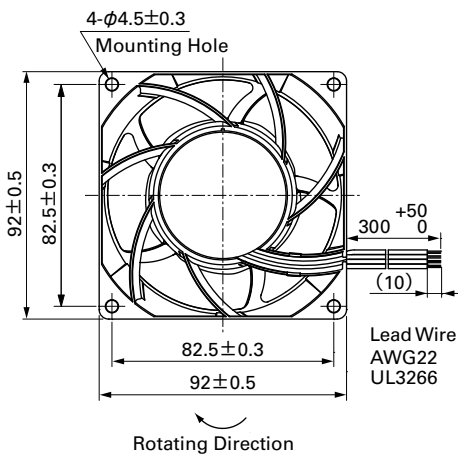
Specifications

The following nos. **have PWM controls, pulse sensors, and ribs.** For ribless, append "1" to the model no.

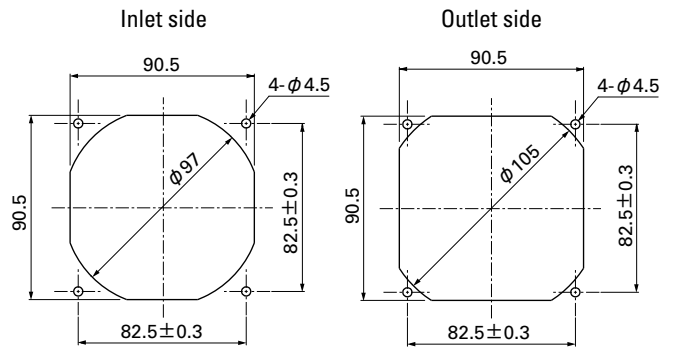
Model No.	Rated Voltage [V]	Operating Voltage Range [V]	PWM duty cycle* [%]	Rated Current [A]	Rated Input [W]	Rated Speed [min ⁻¹]	Max. Airflow [m ³ /min] [CFM]	Max. Static Pressure [Pa] [inchH ₂ O]	SPL [dB(A)]	Operating Temperature [°C]	Expected Life [h]
9HV0912P1G001	12	8 to 12.6	100	5.2	62.4	14,900	5.1 180	1,100 4.42	72	-20 to +70	40,000/60°C (70,000/40°C)
			0	0.8	9.6	4,500	1.54 54.4	160 0.64	44		
9HV0948P1G001	48	36 to 60	100	1.2	57.6	14,900	5.1 180	1,100 4.42	72		
			0	0.15	7.2	4,500	1.54 54.4	160 0.64	44		

※PWM Frequency : 25kHz

Dimensions (unit: mm) (With ribs)



Reference Dimensions of Mounting Holes and Vent Opening (unit: mm)

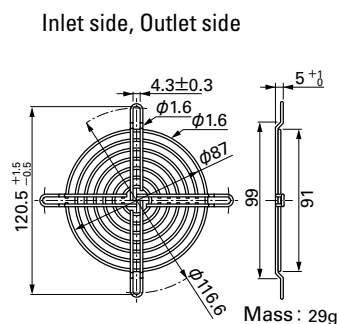
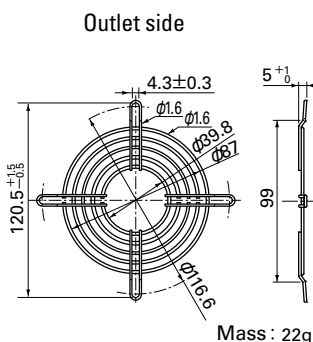


Options (unit: mm)

Finger Guards

Model : 109-099C Surface treatment : Nickel-chrome plating (silver) Color

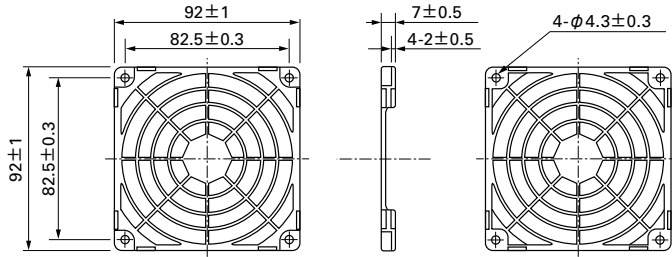
Model : 109-099E Surface treatment : Nickel-chrome plating (silver) Color
: 109-099H : Cation electropainting (black)



Options (unit: mm)

Resin Finger Guards

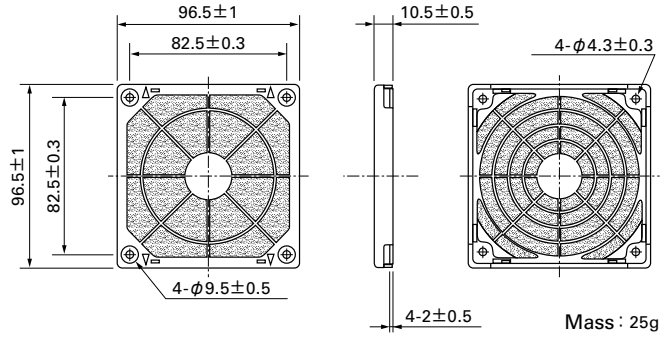
Model : 109-1001G



Mass : 12g

Resin Filter Kits

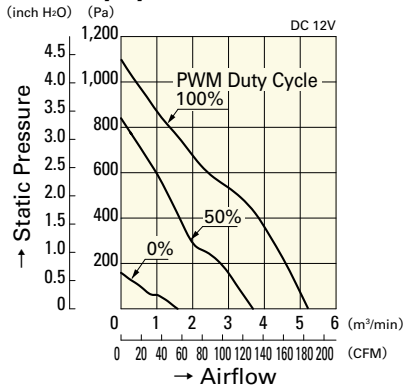
Model : 109-1001F13 (13PPI), 109-1001F20 (20PPI)
: 109-1001F30 (30PPI), 109-1001F40 (40PPI)



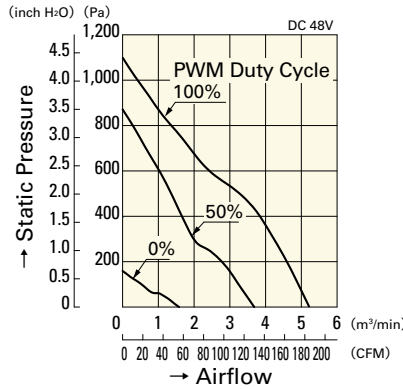
Mass : 25g

Airflow - Static Pressure Characteristics

PWM Duty Cycle

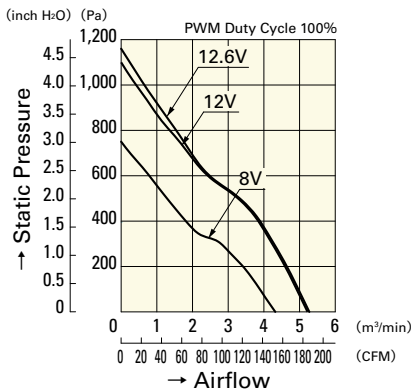


9HV0912P1G001

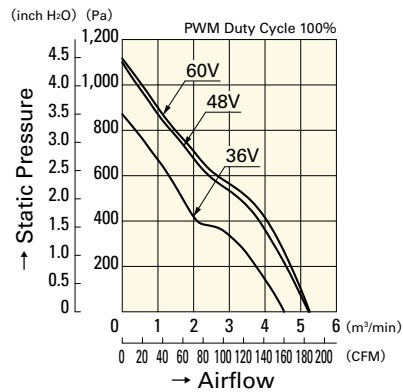


9HV0948P1G001

Operating Voltage Range

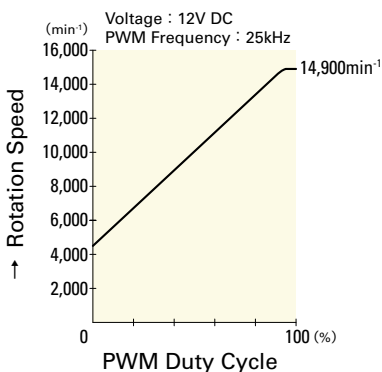


9HV0912P1G001

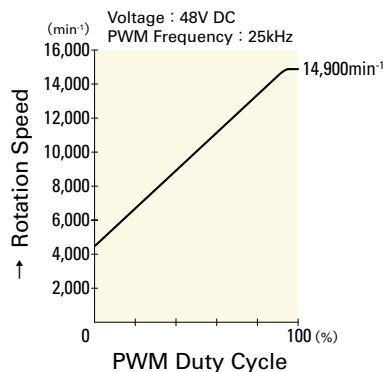


9HV0948P1G001

PWM Duty - Speed Characteristics Example



9HV0912P1G001



9HV0948P1G001