

92mm sq.

San Ace 92T



General Specifications

- Material Frame: Aluminum, Impeller: Plastics (Flammability: UL94V-1)
- Expected Life Refer to specifications (L10:Survival rate:90% at 85°C ,
rated voltage, and continuously run in a free air state)
- Lead Wire ⊕red ⊖black (Sensor) yellow (Control) brown
- Storage Temperature -40°C to +85°C (Non-condensing)

92×92×38mm (Mass : 270g) **9GT type**

Specifications

The following nos. **have PWM controls and pulse sensors.**

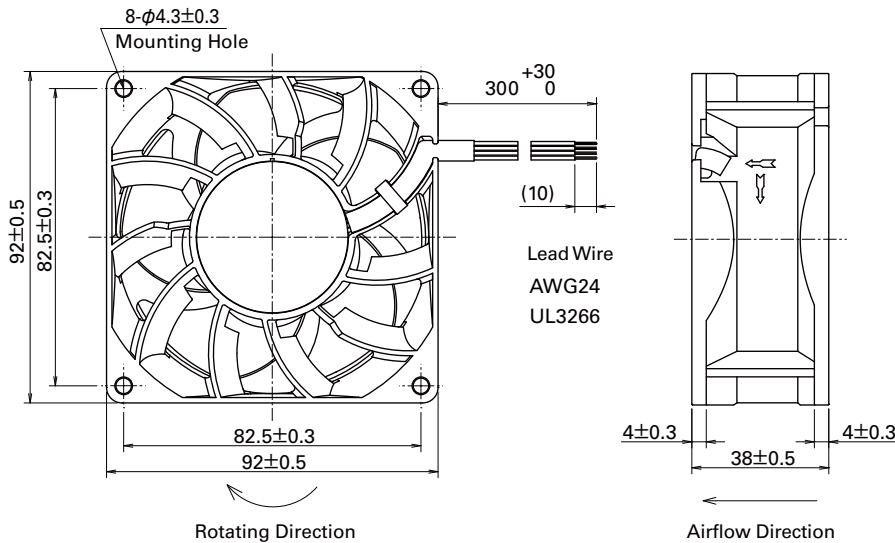
| Model No. | Rated Voltage [V] | Operating Voltage Range [V] | PWM duty cycle [※] [%] | Rated Current [A] | Rated Input [W] | Rated Speed [min ⁻¹] | Max. Airflow [m ³ /min] [CFM] | Max. Static Pressure [Pa] [InchH ₂ O] | SPL [dB(A)] | Operating Temperature [°C] | Expected Life [h] |
|---------------|-------------------|-----------------------------|---------------------------------|-------------------|-----------------|----------------------------------|--|--|-------------|----------------------------|-------------------|
| 9GT0912P1M001 | 12 | 10.2 to 13.8 | 100 | 1.50 | 18.0 | 8,100 | 3.30 116.6 | 315 1.26 | 58 | -40 to +85 | 40,000/85°C |
| | | | 30 | 0.30 | 3.6 | 3,750 | 1.50 53.0 | 72.0 0.29 | 37 | | |
| 9GT0924P1M001 | 24 | 20.4 to 27.6 | 100 | 0.75 | 18.0 | 8,100 | 3.30 116.6 | 315 1.26 | 58 | | |
| | | | 30 | 0.15 | 3.6 | 3,750 | 1.50 53.0 | 72.0 0.29 | 37 | | |

Note : Fan does not rotate when PWM duty cycle is 0%.

※PWM Frequency : 25kHz

Other sensor specifications are available as options. Please refer to the index (p. 507).

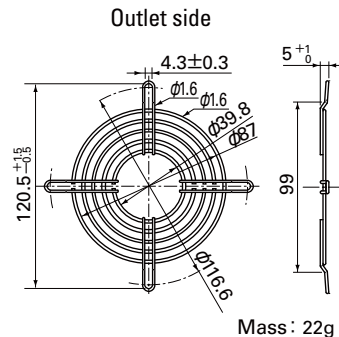
Dimensions (unit: mm)



Options (unit: mm)

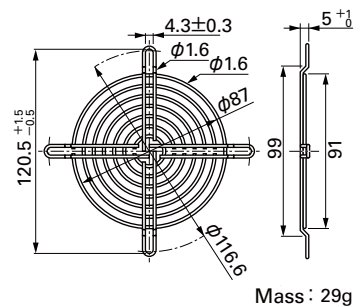
Finger Guards

Model : 109-099C Surface treatment : Nickel-chrome plating (silver) Color

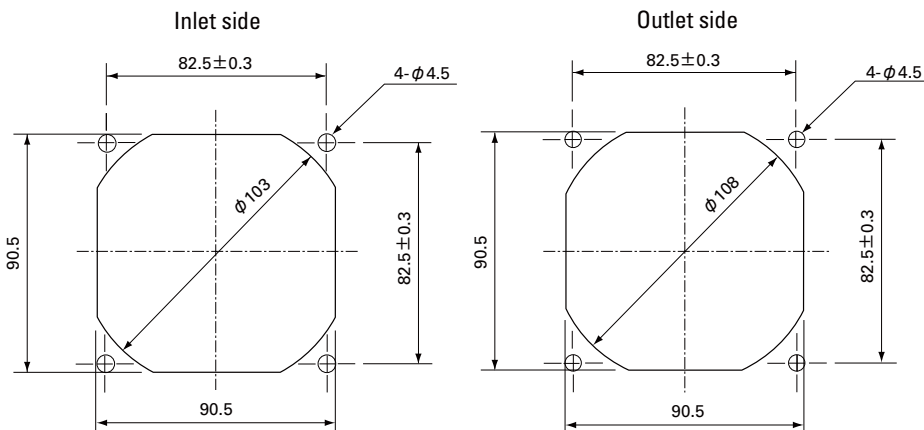


Model : 109-099E Surface treatment : Nickel-chrome plating (silver) Color
: 109-099H : Cation electropainting (black)

Inlet side, Outlet side

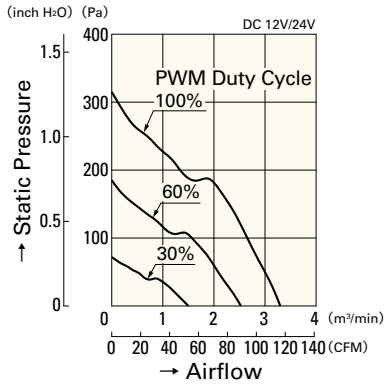


Reference Dimensions of Mounting Holes and Vent Opening (unit: mm)



Airflow - Static Pressure Characteristics

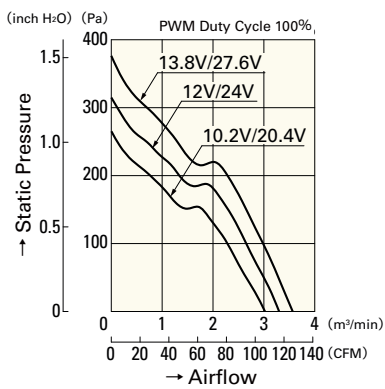
PWM Duty Cycle



9GT0912P1M001

9GT0924P1M001

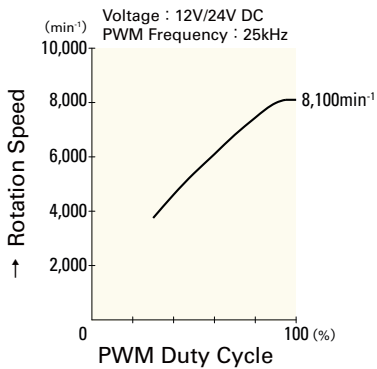
Operating Voltage Range



9GT0912P1M001

9GT0924P1M001

PWM Duty - Speed Characteristics Example



9GT0912P1M001

9GT0924P1M001

DC

Wide Temperature Range Fan 92mm