

92mm sq.

San Ace 92



General Specifications

- Material Frame: Plastics (Flammability: UL94V-0),
Impeller: Plastics (Flammability: UL94V-0)
- Expected Life Refer to specifications (L10:Survival rate:90% at 60°C ,
rated voltage, and continuously run in a free air state)
- Lead Wire Inlet ⊕red ⊖black (Sensor) yellow (Control) brown
Outlet ⊕orange ⊖gray (Sensor) purple (Control) white
- Storage Temperature -30°C to +70°C (Non-condensing)

92×92×76mm (Mass : 510g) **9CRA type**

Specifications

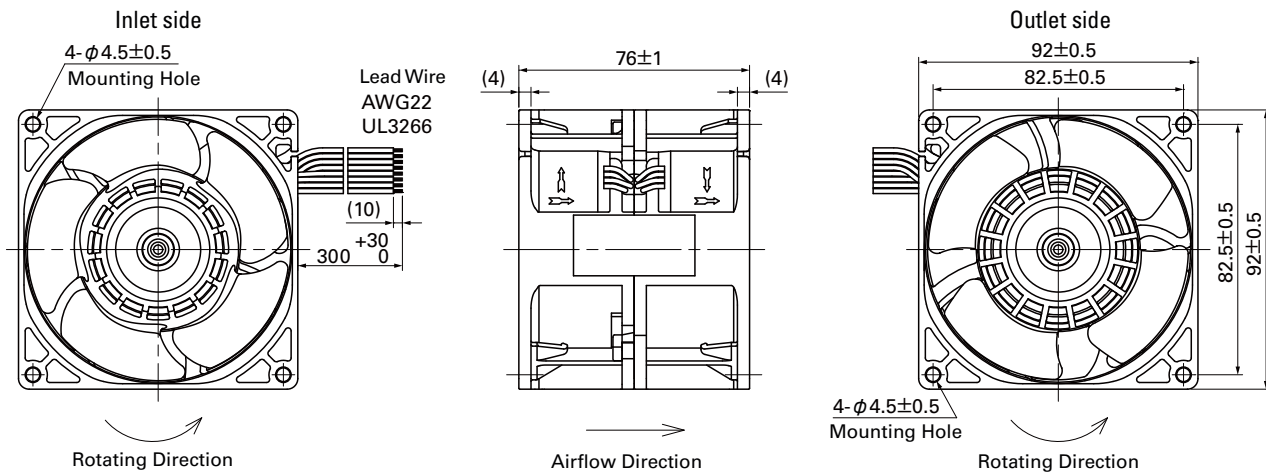
The following nos. **have PWM controls and pulse sensors.**

Model No.	Rated Voltage [V]	Operating Voltage Range [V]	PWM duty cycle ^{*)} [%]	Rated Current [A]	Rated Input [W]	Rated Speed [min ⁻¹]		Max. Airflow [m ³ /min] [CFM]		Max. Static Pressure [Pa] [inchH ₂ O]		SPL [dB(A)]	Operating Temperature [°C]	Expected Life [h]
						Inlet	Outlet							
9CRA0912P0G001	12	10.2 to 13.2	100	9.0	108.0	13,300	12,200	5.8	205	1,650	6.63	81	-20 to +70	40,000/60°C (70,000/40°C)
			20	0.42	5.04	3,500	3,200	1.48	52.3	140	0.56	47		
9CRA0948P0G601	48	36 to 60	100	2.2	105.6	13,300	12,200	5.8	205	1,650	6.63	81	-20 to +70	40,000/60°C (70,000/40°C)
			20	0.15	7.20	3,500	3,200	1.48	52.3	140	0.56	47		

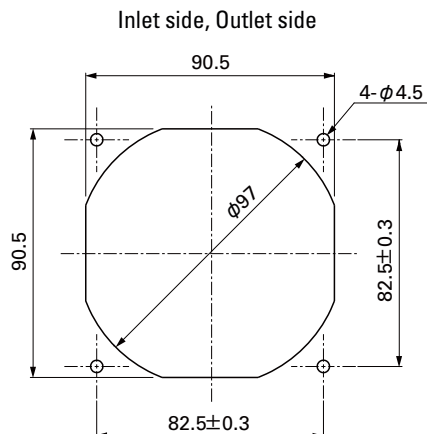
Note: Fan does not rotate when PWM duty cycle is 0%.

*)PWM Frequency : 25kHz

Dimensions (unit: mm)



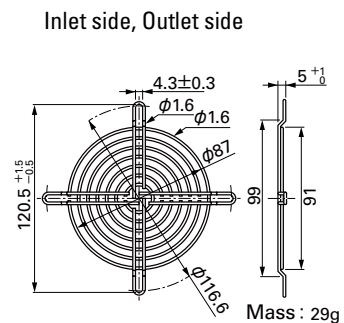
Reference Dimensions of Mounting Holes and Vent Opening (unit: mm)



Options (unit: mm)

Finger Guards

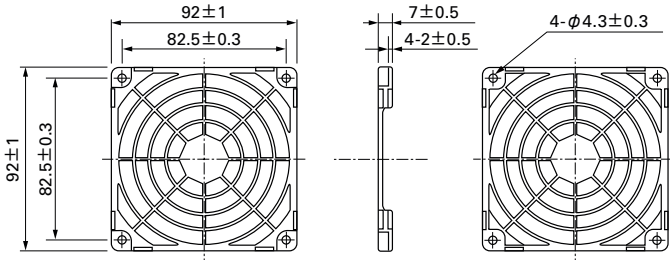
Model : 109-099E Surface treatment : Nickel-chrome plating (silver)
: 109-099H : Cation electropainting (black)



Options (unit: mm)

Resin Finger Guards

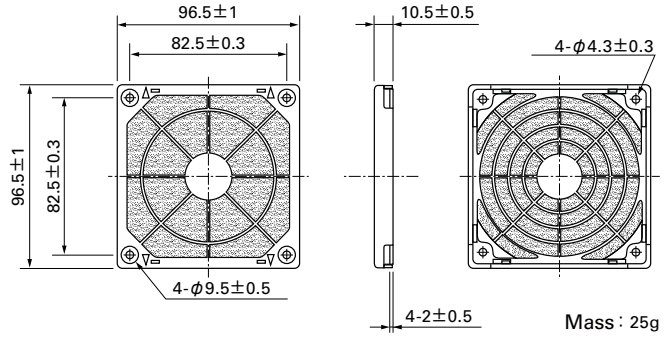
Model : 109-1001G



Mass : 12g

Resin Filter Kits

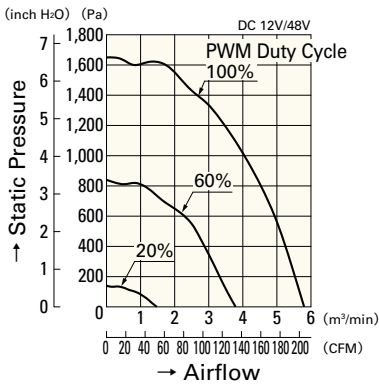
Model : 109-1001F13 (13PPI), 109-1001F20 (20PPI)
: 109-1001F30 (30PPI), 109-1001F40 (40PPI)



Mass : 25g

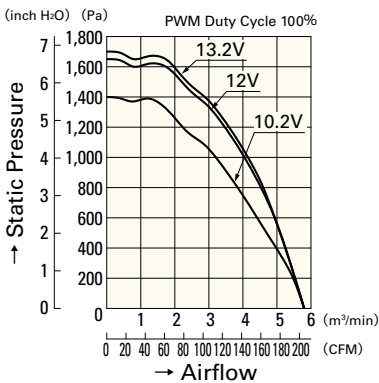
Airflow - Static Pressure Characteristics

PWM Duty Cycle

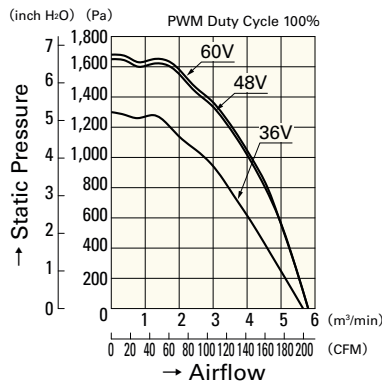


9CRA0912P0G001
9CRA0948P0G601

Operating Voltage Range

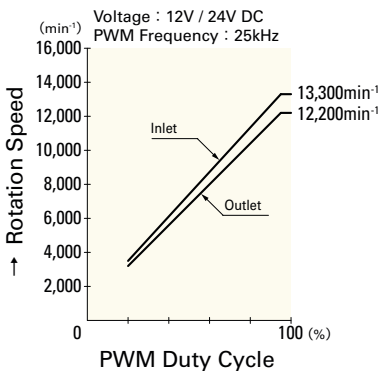


9CRA0912P0G001



9CRA0948P0G601

PWM Duty - Speed Characteristics Example



9CRA0912P0G001
9CRA0948P0G601