

Splash Proof Fan

IP54



80×80×25 mm

San Ace 80WS 9WS type

DC
Splash Proof Fan 80 mm sq.

General Specifications

- Material Frame: Plastic (Flammability: UL 94V-0), Impeller: Plastic (Flammability: UL 94V-1)
- Expected life See the table below. (L10 life: 90% survival rate for continuous operation in indoor free air at 60°C, rated voltage)
- Motor protection function Locked rotor burnout protection, Reverse polarity protection
For details, please refer to p. 547.
- Dielectric strength 50/60 Hz, 500 VAC, for 1 minute (between lead wire conductors and frame)
- Insulation resistance 10 MΩ or more with a 500 VDC megger (between lead wire conductors and frame)
- Sound pressure level (SPL) At 1 m away from the air inlet
- Storage temperature -30 to +70°C (Non-condensing)
- Lead wire ⊕Red ⊖Black or Blue (Sensor) Yellow
- Mass 120 g
- Ingress protection IP54

Specifications

The models listed below **have ribs and pulse sensors.** For models without ribs, append "1" to the end of model numbers.

| Model no. | Rated voltage [V] | Operating voltage range [V] | Rated current [A] | Rated input [W] | Rated speed [min ⁻¹] | Max. airflow [m ³ /min] [CFM] | Max. static pressure [Pa] [inchH ₂ O] | SPL [dB (A)] | Operating temperature [°C] | Expected life [h] |
|-------------|-------------------|-----------------------------|-------------------|-----------------|----------------------------------|--|--|--------------|----------------------------|-------------------|
| 9WS0812H401 | 12 | 10.2 to 13.8 | 0.16 | 1.92 | 3100 | 0.94 33.2 | 45.1 0.181 | 32 | -20 to +70 | 40000/60°C |
| 9WS0812F401 | | | 0.13 | 1.56 | 2700 | 0.83 29.3 | 34.3 0.138 | 28 | | |
| 9WS0812M401 | | | 0.1 | 1.2 | 2200 | 0.65 23.0 | 23.5 0.094 | 23 | | |
| 9WS0824H401 | 24 | 20.4 to 27.6 | 0.09 | 2.16 | 3100 | 0.94 33.2 | 45.1 0.181 | 32 | | |
| 9WS0824F401 | | | 0.07 | 1.68 | 2700 | 0.83 29.3 | 34.3 0.138 | 28 | | |
| 9WS0824M401 | | | 0.05 | 1.2 | 2200 | 0.65 23.0 | 23.5 0.094 | 23 | | |

The following sensor and control options are available for selection.

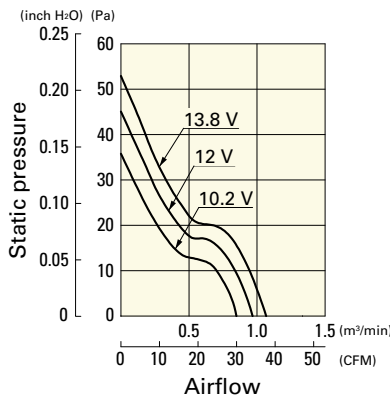
Available for all models. **Without sensor**

Differs according to the model. Refer to the table on p. 581. **Lock sensor**

Airflow - Static Pressure Characteristics

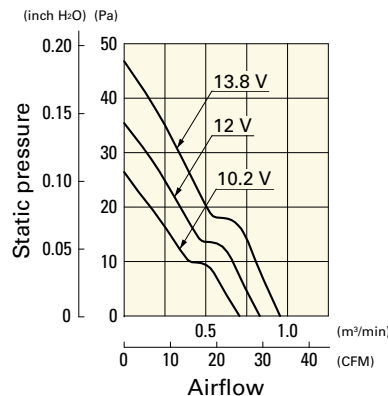
9WS0812H401 With pulse sensor

Operating voltage range



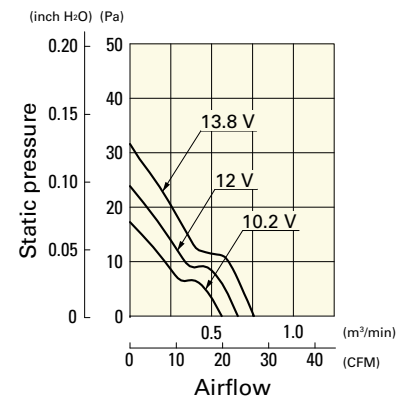
9WS0812F401 With pulse sensor

Operating voltage range



9WS0812M401 With pulse sensor

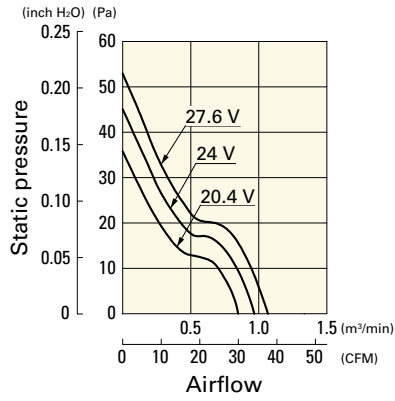
Operating voltage range



Airflow - Static Pressure Characteristics

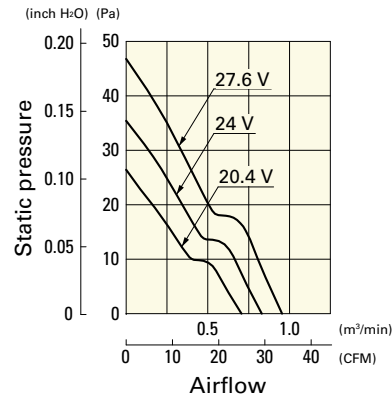
9WS0824H401 With pulse sensor

Operating voltage range



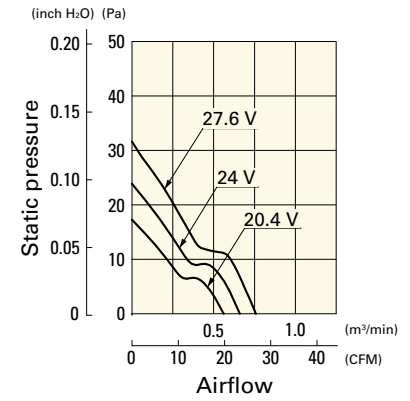
9WS0824F401 With pulse sensor

Operating voltage range

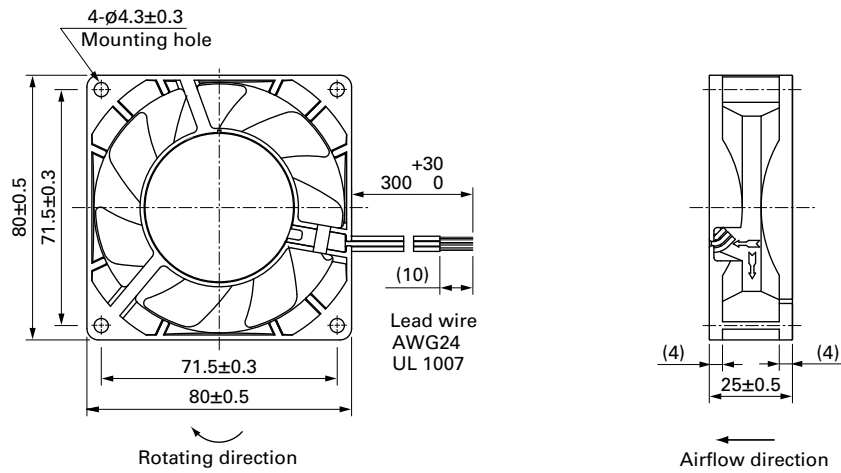


9WS0824M401 With pulse sensor

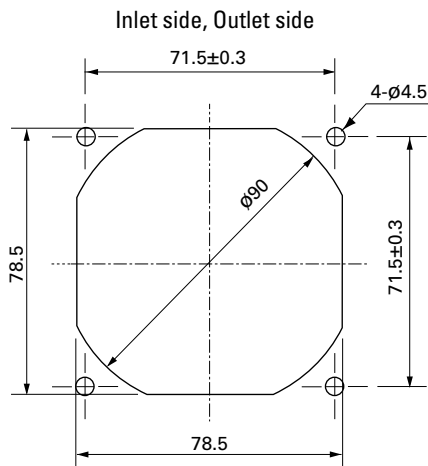
Operating voltage range



Dimensions (unit: mm) (With ribs)



Reference Dimensions of Mounting Holes and Vent Opening (unit: mm)



Options

Finger guards

page: p. 532

Model no.: 109-049E, 109-049H, 109-049C

Resin finger guards

page: p. 539

Model no.: 109-1002G