

80 mm sq.

San Ace 80W

25mm thick, 25mm thick(WP type)
25mm thick(WS type), 38mm thick(WV type)



- General Specifications** With a pulse sensor Specifications for pulse sensors ⇔ Refer to Page 297
- Material Frame: Aluminum, Impeller:Plastics (Flammability: UL94V-1)
 - Expected Life Varies for each model(Indoor, L10:Survival rate: 90% at 60°C , rated voltage,and continuously run in a free air state)
 - Lead Wire ⊕red ⊖black Sensor yellow
 - Storage Temperature -30°C to +70°C (Non-condensing)

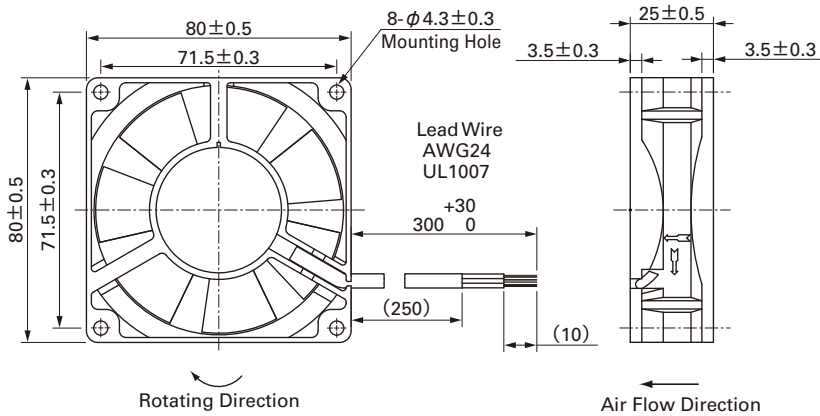
80×80×25mm (Mass : 170g) IP 55 Dust resistant device with protection against water jets

Specifications

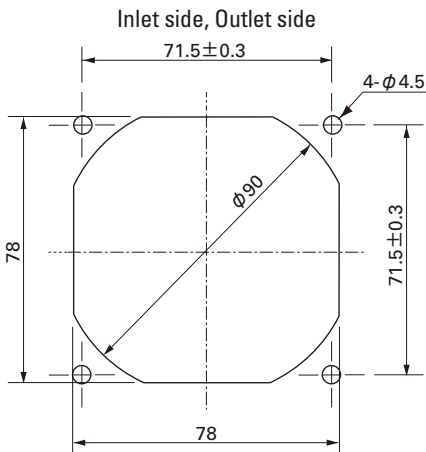
Model No.	Rated Voltage [V]	Operating Voltage Range [V]	Rated Current [A]	Rated Input [W]	Rated Speed [min ⁻¹]	Max. Air Flow [m ³ /min] [CFM]	Max. Static Pressure [Pa] [inchH ₂ O]	SPL [dB(A)]	Operating Temperature [°C]	Expected Life [h]	
109W0812H401-U	12	10.2 to 13.8	0.18	2.16	3,000	1.06	37.4	39.2	0.157	- 10 to + 70	100,000
109W0812F401-U			0.14	1.68	2,700	0.93	32.8	32.3	0.130		
109W0812M401-U			0.10	1.20	2,400	0.83	29.3	26.5	0.106		
109W0812L401-U			0.08	0.96	1,900	0.63	22.2	16.7	0.067		
109W0824H401-U	24	20.4 to 27.6	0.09	2.16	3,000	1.06	37.4	39.2	0.157	- 10 to + 70	100,000
109W0824F401-U			0.08	1.92	2,700	0.93	32.8	32.3	0.130		
109W0824M401-U			0.07	1.68	2,400	0.83	29.3	26.5	0.106		
109W0824L401-U			0.05	1.20	1,900	0.63	22.2	16.7	0.067		
109W0848H401-U	48	40.8 to 55.2	0.06	2.88	3,150	1.10	38.8	43.1	0.173	34	

Without Sensor Pulse Sensor Available in all models. Lock Sensor Please inquire as the availability of these functions depend on the model.

Dimensions (Unit : mm)



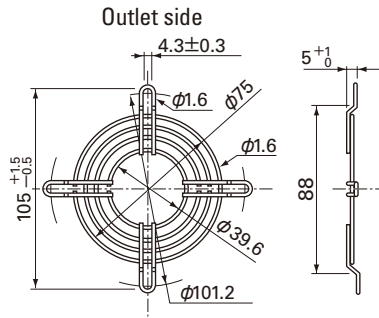
Reference dimension of mounting holes and vent opening (Unit : mm)



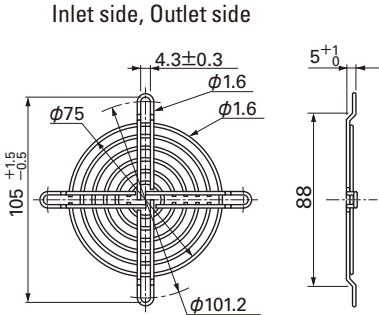
Options (Unit : mm)

Finger guards

Model : 109-049C Surface treatment : Nickel-chrome plating (silver) Color (silver)

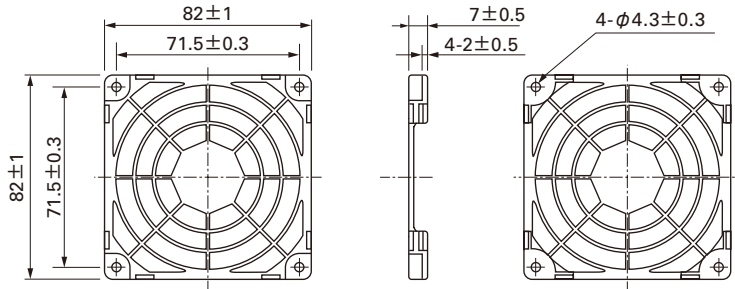


Model : 109-049E Surface treatment : Nickel-chrome plating (silver) Color (silver)
 : 109-049H Surface treatment : Cation electropainting (black) Color (black)

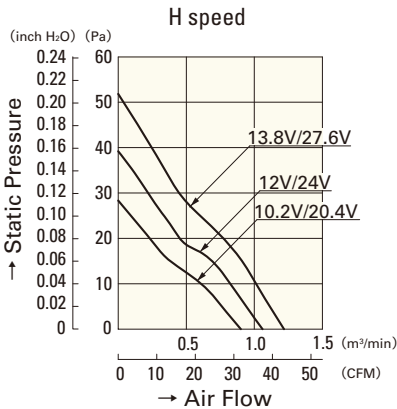


Resin Finger guards

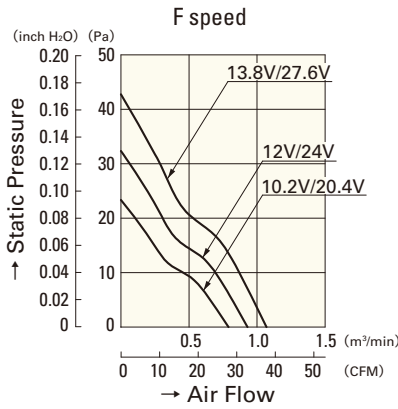
Model : 109-1002G



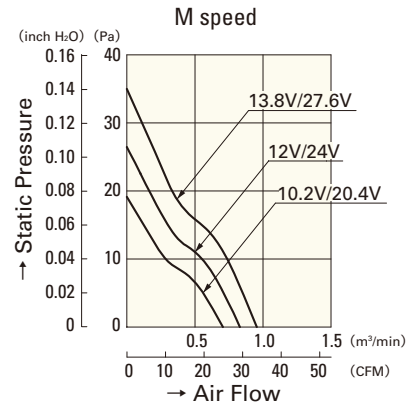
Air Flow - Static Pressure Characteristics



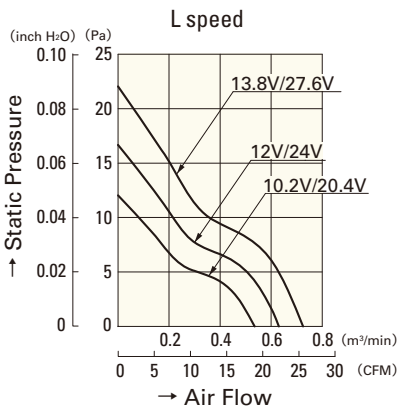
109W0812H401-U
109W0824H401-U



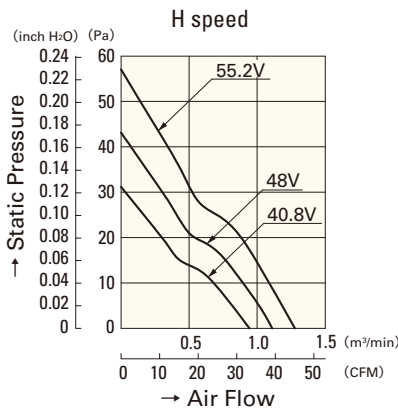
109W0812F401-U
109W0824F401-U



109W0812M401-U
109W0824M401-U



109W0812L401-U
109W0824L401-U



109W0848H401-U

Splash Proof Fan 80mm

80mm