

**80**mm sq.

# San Ace 80



## General Specifications

- Material ..... Frame: Plastics (Flammability: UL94V-0),  
Impeller: Plastics (Flammability: UL94V-0)
- Expected Life ..... Refer to specifications (L10:Survival rate:90% at 60°C ,  
rated voltage, and continuously run in a free air state)
- Lead Wire ..... ⊕red ⊖black (Sensor) yellow (Control) brown
- Storage Temperature ..... -30°C to +70°C (Non-condensing)

**80×80×38mm** [Mass : 220g] **9HVA type**

**Specifications** The following nos. **have PWM controls, pulse sensors, and ribs.** For ribless, append "1" to the model no.

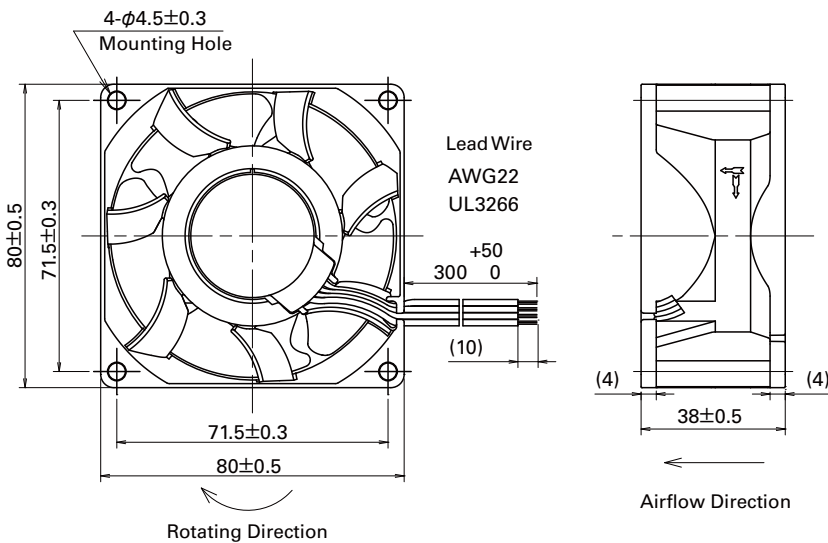
| Model No.      | Rated Voltage [V] | Operating Voltage Range [V] | PWM duty cycle <sup>Note)1)</sup> [%] | Rated Current [A] | Rated Input [W] | Rated Speed [min <sup>-1</sup> ] | Max. Airflow [m <sup>3</sup> /min] [CFM] | Max. Static Pressure [Pa] [inchH <sub>2</sub> O] | SPL [dB(A)] | Operating Temperature [°C] | Expected Life [h]            |
|----------------|-------------------|-----------------------------|---------------------------------------|-------------------|-----------------|----------------------------------|--|--|-------------|----------------------------|------------------------------|
| 9HVA0812P1G001 | 12                | 10.8 to 13.2                | 100                                   | 3.5               | 42              | 16,100                           | 3.75 132                                 | 1,350 5.4  | 73          | -20 to +70                 | 40,000/60°C<br>(70,000/40°C) |
|                |                   |                             | 20                                    | 0.2               | 2.4             | 4,200                            | 0.96 33.9                                | 105 0.42   | 44          |                            |                              |

Note: Fan does not rotate when PWM duty cycle is 0%.

\*PWM Frequency : 25kHz

Other sensor specifications are available as options. Please refer to the index (p. 509).

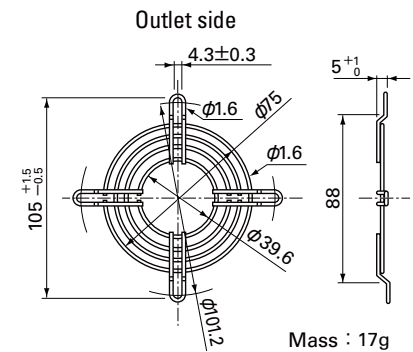
## Dimensions (unit: mm) (With ribs)



## Options (unit: mm)

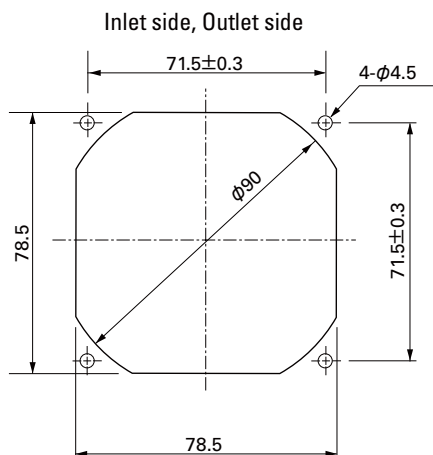
### Finger Guards

Model : 109-049C Surface treatment : Nickel-chrome plating (silver) Color

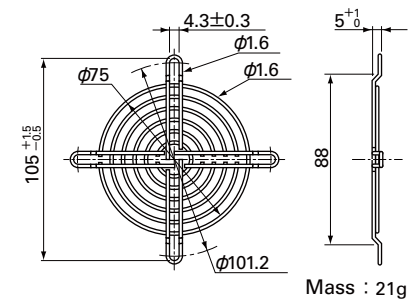


Model : 109-049E Surface treatment : Nickel-chrome plating (silver) Color  
: 109-049H : Cation electropainting (black)

## Reference Dimensions of Mounting Holes and Vent Opening (unit: mm)



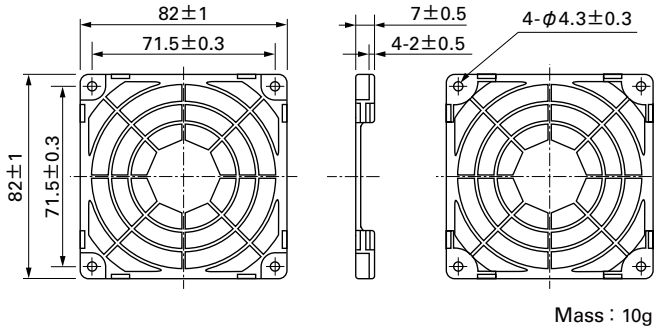
### Inlet side, Outlet side



Options (unit: mm)

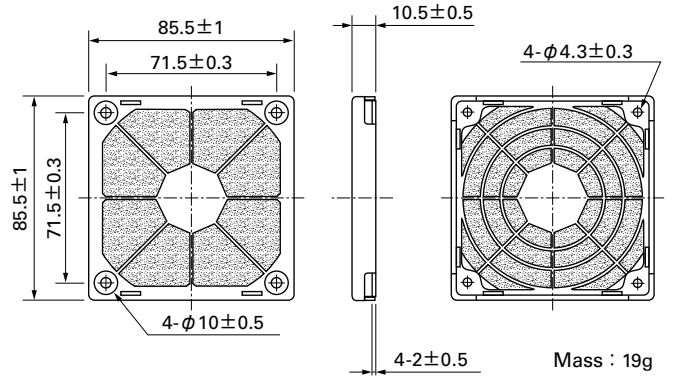
Resin Finger Guards

Model : 109-1002G



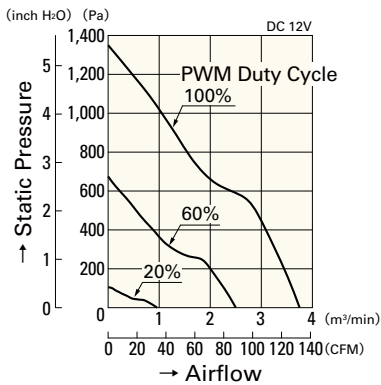
Resin Filter Kits

Model : 109-1002F13 (13PPI), 109-1002F20 (20PPI)  
: 109-1002F30 (30PPI), 109-1002F40 (40PPI)



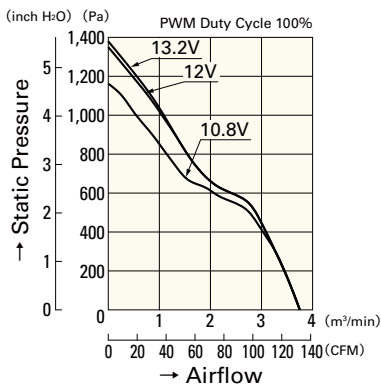
Airflow - Static Pressure Characteristics

PWM Duty Cycle



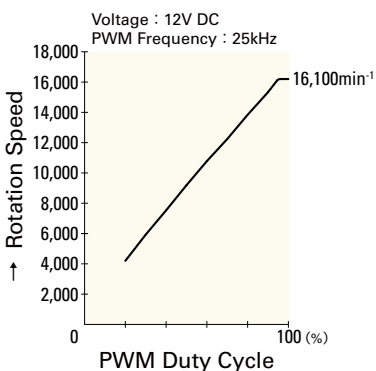
9HVA0812P1G001

Operating Voltage Range



9HVA0812P1G001

PWM Duty - Speed Characteristics Example



9HVA0812P1G001