

DC Fan

**80**mm sq.

**San Ace 80**



**General Specifications**

- Material ..... Frame: Plastics (Flammability: UL94V-0),  
Impeller: Plastics (Flammability: UL94V-1)
- Expected Life ..... Refer to specifications (L10:Survival rate:90% at 60°C ,  
rated voltage, and continuously run in a free air state)
- Lead Wire ..... ⊕red ⊖black (Sensor) yellow (Control) brown
- Storage Temperature ..... -30°C to +70°C (Non-condensing)

**80×80×25**mm (Mass : 125g) **9GV**type

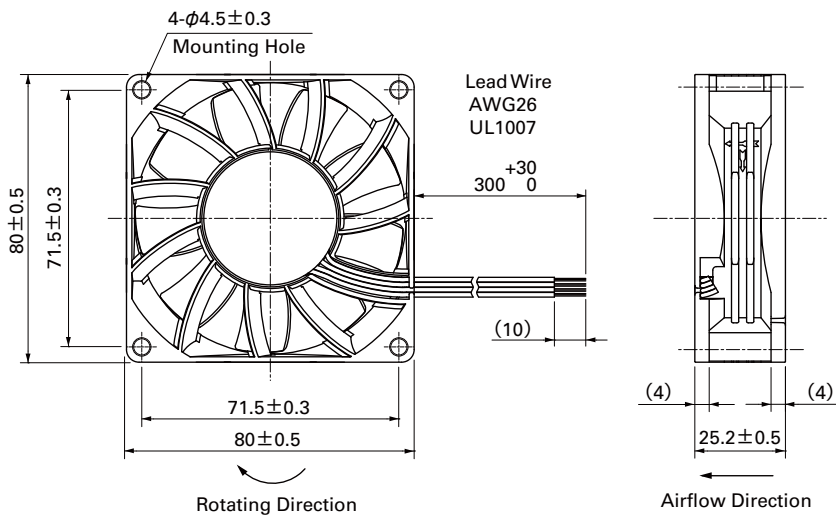
**Specifications** The following nos. **have PWM controls, pulse sensors, and ribs.** For ribless, append "1" to the model no.

Model No.	Rated Voltage [V]	Operating Voltage Range [V]	PWM duty cycle※ [%]	Rated Current [A]	Rated Input [W]	Rated Speed [min <sup>-1</sup> ]	Max. Airflow [m <sup>3</sup> /min] [CFM]	Max. Static Pressure [Pa] [inchH <sub>2</sub> O]	SPL [dB(A)]	Operating Temperature [°C]	Expected Life [h]
<b>9GV0812P4K03</b>	12	10.2 to 13.8	100	0.87	10.4	5,600	2.12 74.8	173.0 0.69	52	-20 to +70	40,000/60°C
			0	0.10	1.2	1,400	0.50 18.7	10.3 0.04	18		
<b>9GV0812P4J03</b>	12	10.2 to 13.8	100	0.47	5.6	4,500	1.72 60.7	110.0 0.44	46		
			0	0.07	0.8	1,200	0.45 16.2	7.5 0.03	14		
<b>9GV0824P4K01</b>	24	20.4 to 27.6	100	0.44	10.56	5,600	2.12 74.8	173.0 0.69	52		
			0	0.06	1.44	1,400	0.53 18.7	10.8 0.04	18		
<b>9GV0848P4K03</b>	48	43 to 53	100	0.22	10.56	5,600	2.12 74.8	173.0 0.69	52		
			0	0.04	1.92	1,500	0.57 20.1	12.4 0.05	19		

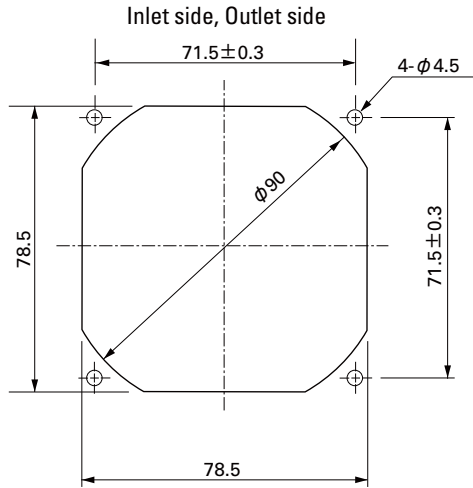
※PWM Frequency : 25kHz

Models without sensors, or with pulse sensors (no PWM control function), or lock sensors are available as options. Please refer to the index (p. 477).

**Dimensions (unit: mm)** (With ribs)



Reference Dimensions of Mounting Holes and Vent Opening (unit: mm)



Options (unit: mm)

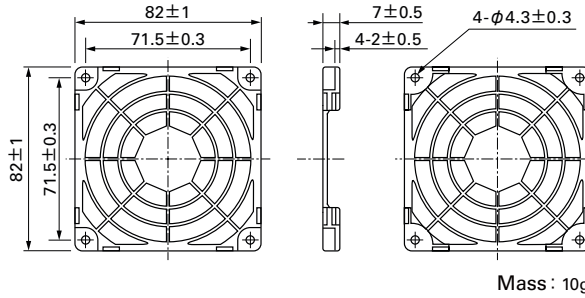
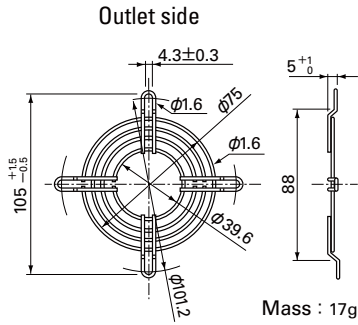
Finger Guards

Model : 109-049C Surface treatment : Nickel-chrome plating (silver)

Color

Resin Finger Guards

Model : 109-1002G

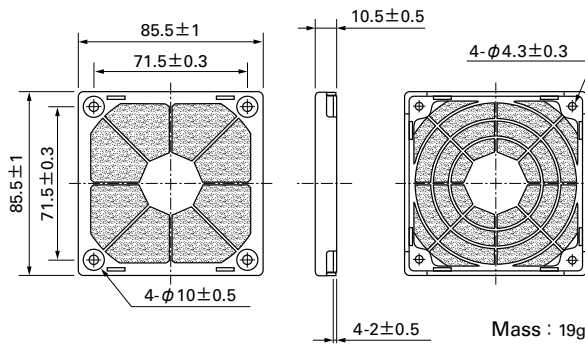
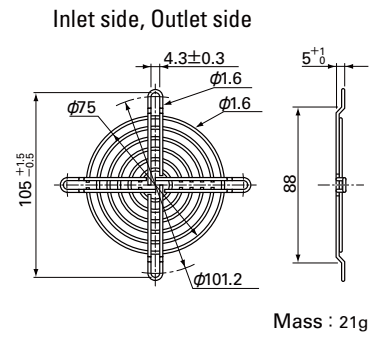


Model : 109-049E Surface treatment : Nickel-chrome plating (silver)  
: 109-049H : Cation electropainting (black)

Color

Resin Filter Kits

Model : 109-1002F13 (13PPI), 109-1002F20 (20PPI)  
: 109-1002F30 (30PPI), 109-1002F40 (40PPI)



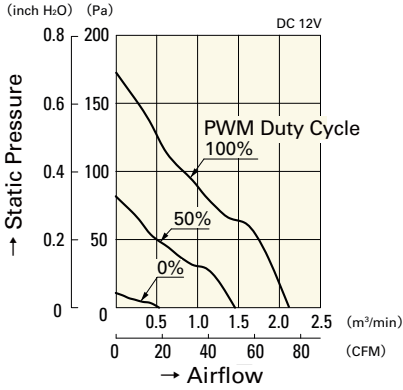
**80** mm sq.

**San Ace 80**

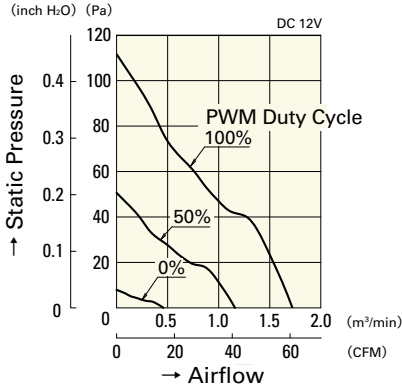
**80×80×25**mm [Mass : 125g]

**Airflow - Static Pressure Characteristics**

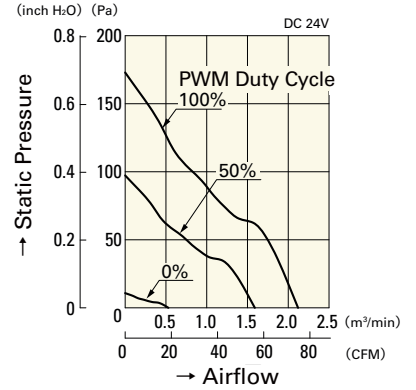
**PWM Duty Cycle**



**9GV0812P4K03**

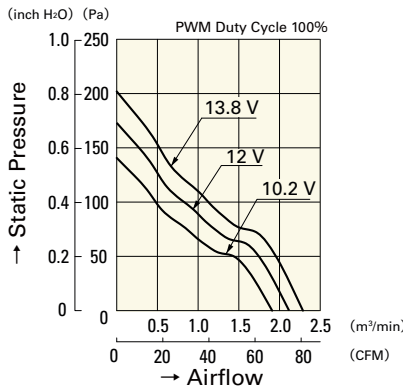


**9GV0812P4J03**

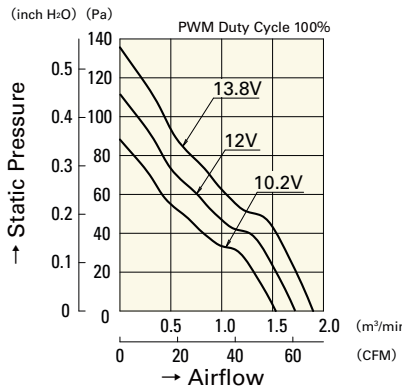


**9GV0824P4K01**

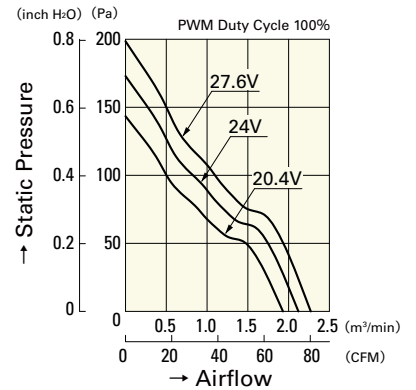
**Operating Voltage Range**



**9GV0812P4K03**

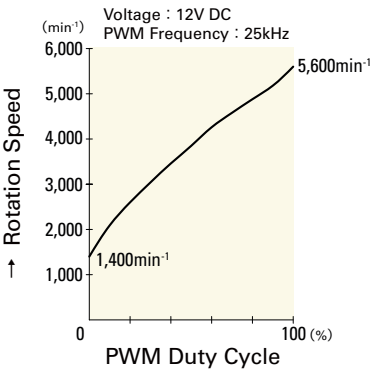


**9GV0812P4J03**

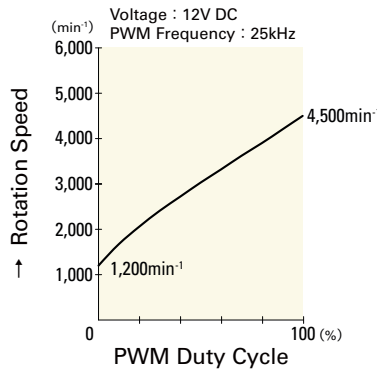


**9GV0824P4K01**

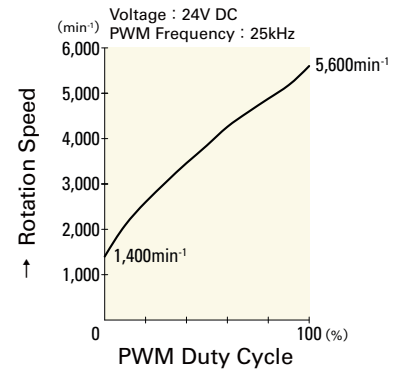
**PWM Duty - Speed Characteristics Example**



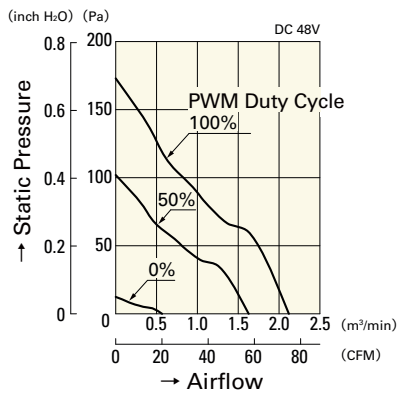
**9GV0812P4K03**



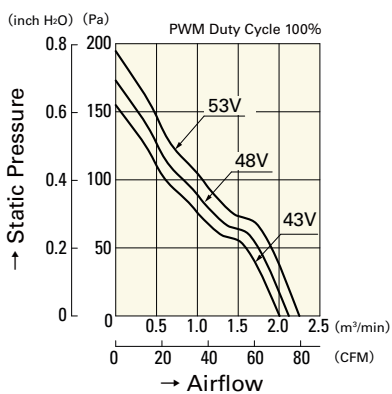
**9GV0812P4J03**



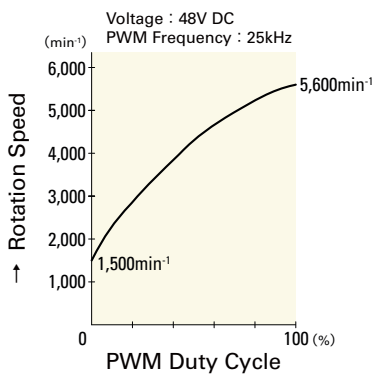
**9GV0824P4K01**



9GV0848P4K03



9GV0848P4K03



9GV0848P4K03