

60mm sq.

San Ace 60W



General Specifications

- Material Frame: Aluminum (Black coating),
Impeller: Plastics (Flammability: UL94V-1)
- Expected Life Refer to specifications (Indoor, L10:Survival rate:90% at 60°C ,
rated voltage, and continuously run in a free air state)
- Lead Wire ⊕red ⊖black (Sensor) yellow (Control) brown
- Storage Temperature -30°C to +70°C (Non-condensing)

60×60×25mm (Mass : 110g) **IP 68** **9WL type** **High Airflow Long Life Fan**

Specifications

The following nos. **have PWM controls and pulse sensors.**

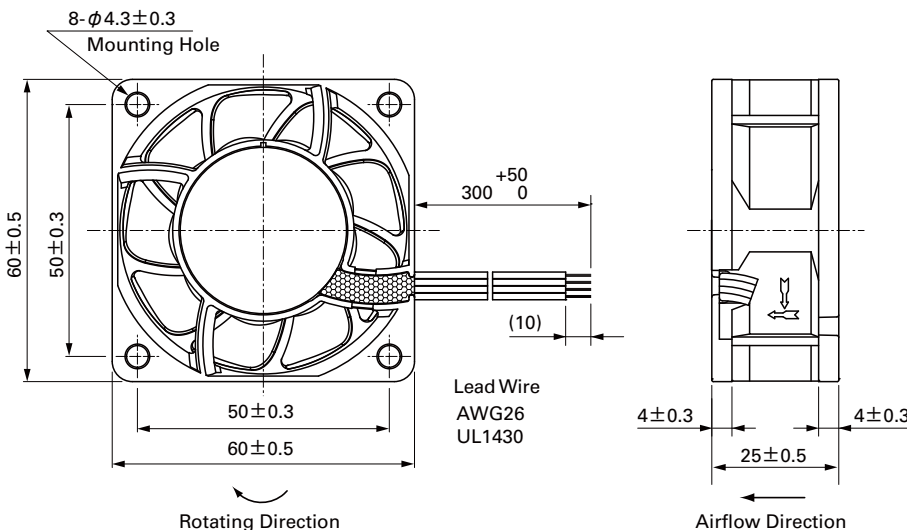
| Model No. | Rated Voltage [V] | Operating Voltage Range [V] | PWM duty cycle ^{Note1)} [%] | Rated Current [A] | Rated Input [W] | Rated Speed [min ⁻¹] | Max. Airflow [m ³ /min] [CFM] | Max. Static Pressure [Pa] [inchH ₂ O] | SPL [dB(A)] | Operating Temperature [°C] | Expected Life [h] | |
|---------------|-------------------|-----------------------------|--------------------------------------|-------------------|-----------------|----------------------------------|--|--|-------------|----------------------------|-------------------|----|
| 9WL0612P4S001 | 12 | 10.8 to 13.2 | 100 | 0.67 | 8.04 | 11,000 | 1.40 49.4 | 300 1.204 | 53 | -20 to +70 | 180,000/60°C | |
| | | | 20 | 0.06 | 0.72 | 2,900 | 0.36 12.7 | 20.8 0.083 | 20 | | | |
| | | | 9WL0612P4J001 | 100 | 0.39 | 4.68 | 8,650 | 1.10 38.8 | 182 0.730 | | | 47 |
| | | | | 20 | 0.03 | 0.36 | 1,150 | 0.13 4.8 | 3.3 0.013 | | | 14 |
| | | | 9WL0612P4H001 | 100 | 0.17 | 2.04 | 6,150 | 0.78 27.5 | 97 0.389 | | | 36 |
| | | | | 20 | 0.03 | 0.36 | 1,350 | 0.17 6.0 | 4.7 0.018 | | | 14 |
| 9WL0624P4S001 | 24 | 21.6 to 26.4 | 100 | 0.34 | 8.16 | 11,000 | 1.40 49.4 | 300 1.204 | 53 | | | |
| | | | 20 | 0.03 | 0.72 | 2,900 | 0.36 12.7 | 20.8 0.083 | 20 | | | |
| | | | 9WL0624P4J001 | 100 | 0.19 | 4.56 | 8,650 | 1.10 38.8 | 182 0.730 | | | 47 |
| | | | | 20 | 0.02 | 0.48 | 2,200 | 0.28 9.8 | 12.0 0.048 | | | 17 |
| | | | 9WL0624P4H001 | 100 | 0.08 | 1.92 | 6,150 | 0.78 27.5 | 97 0.389 | | | 36 |
| | | | | 20 | 0.02 | 0.48 | 1,300 | 0.16 5.6 | 4.3 0.017 | | | 14 |

Note: Fan does not rotate when PWM duty cycle is 0%.

※PWM Frequency : 25kHz

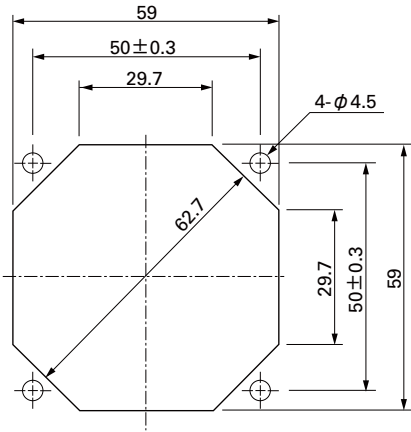
Other sensor specifications are available as options. Please refer to the index (p. 511).

Dimensions (unit: mm)



Reference Dimensions of Mounting Holes and Vent Opening (unit: mm)

Inlet side, Outlet side



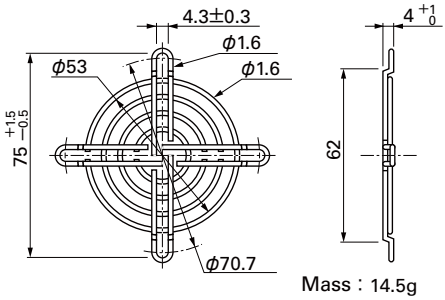
Options (unit: mm)

Finger Guards

Model : 109-139E Surface treatment : Nickel-chrome plating (silver)
 : 109-139H : Cation electropainting (black)

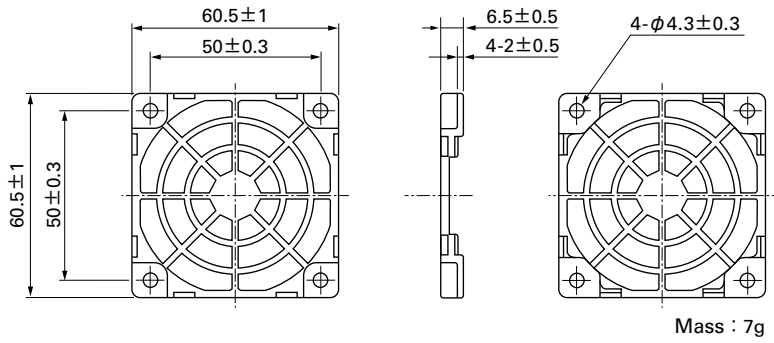
Color

Inlet side, Outlet side



Resin Finger Guards

Model : 109-1003G



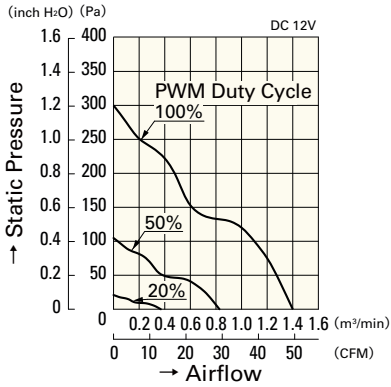
60mm sq.

San Ace 60W

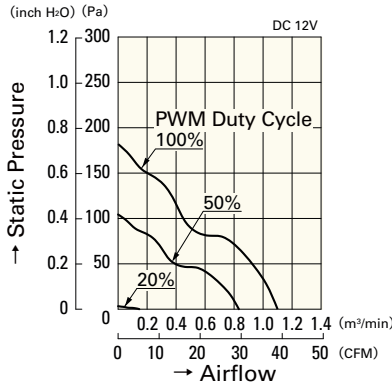
60×60×25mm [Mass : 120g]

Airflow - Static Pressure Characteristics

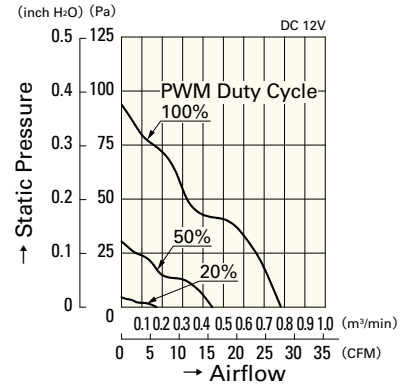
PWM Duty Cycle



9WL0612P4S001

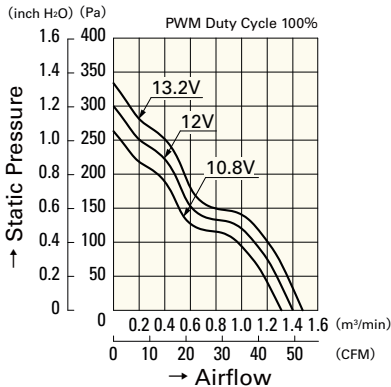


9WL0612P4J001

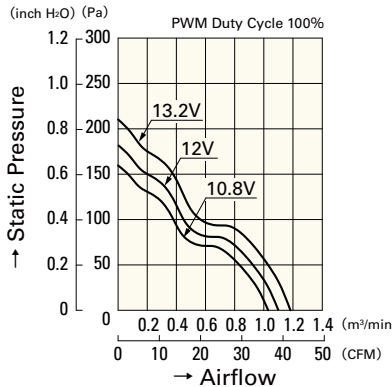


9WL0612P4H001

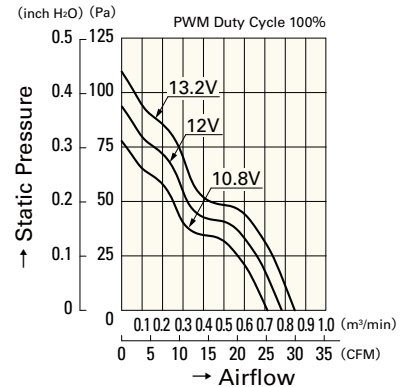
Operating Voltage Range



9WL0612P4S001

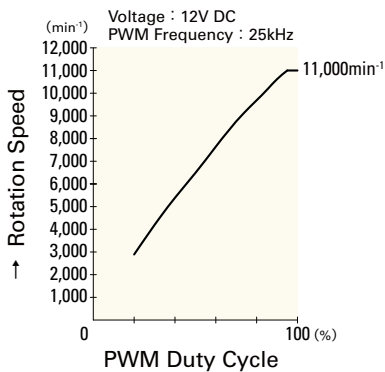


9WL0612P4J001

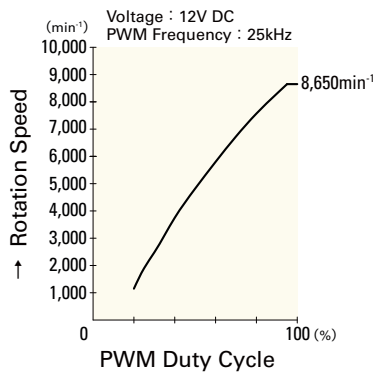


9WL0612P4H001

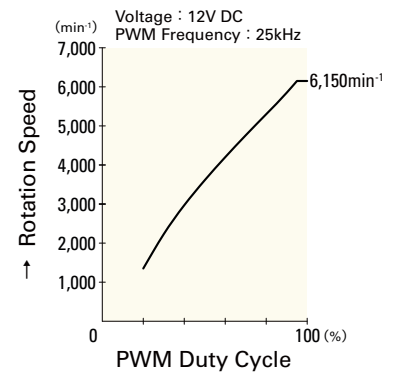
PWM Duty - Speed Characteristics Example



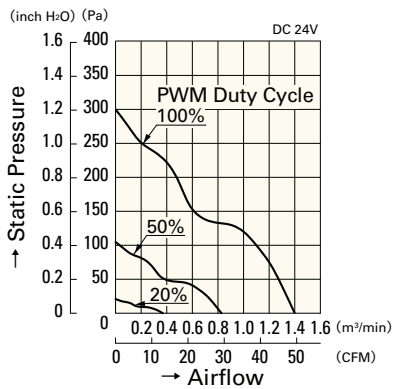
9WL0612P4S001



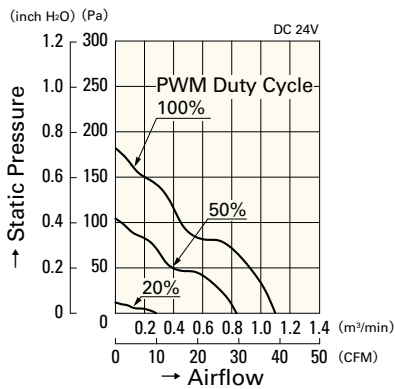
9WL0612P4J001



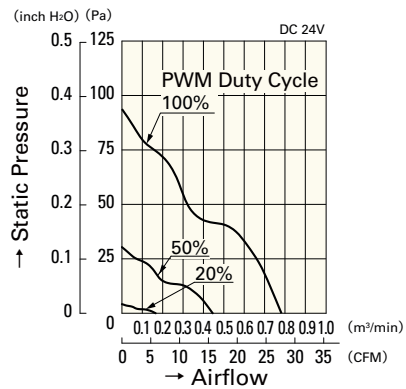
9WL0612P4H001



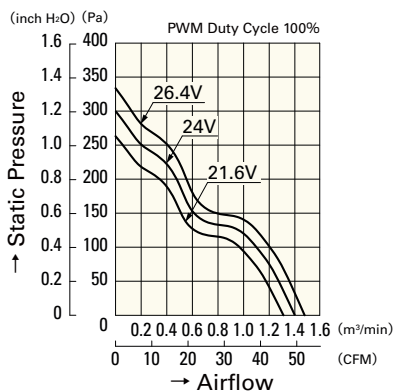
9WL0624P4S001



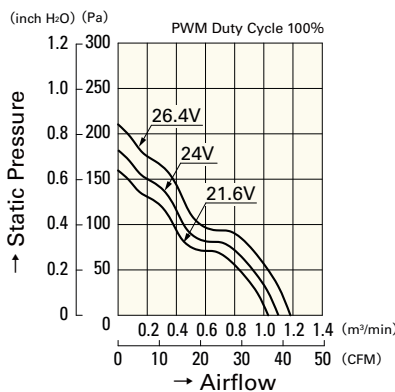
9WL0624P4J001



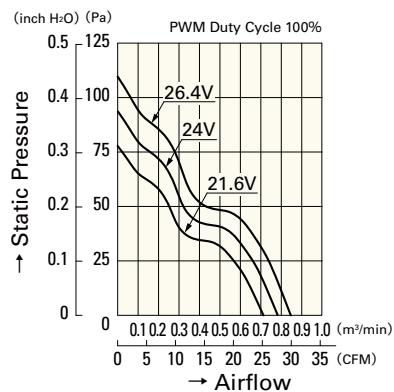
9WL0624P4H001



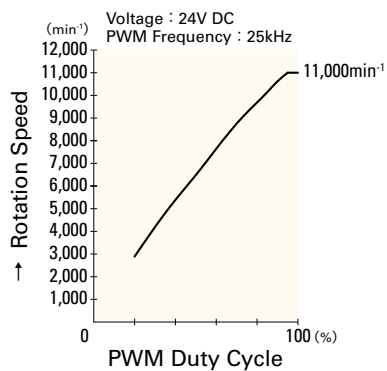
9WL0624P4S001



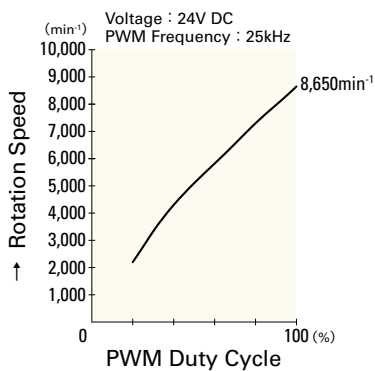
9WL0624P4J001



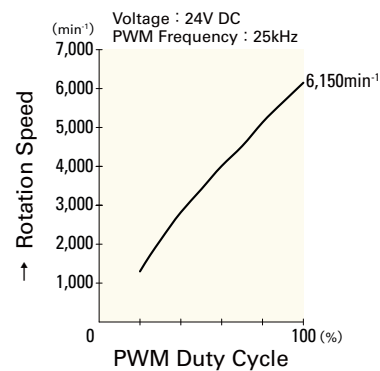
9WL0624P4H001



9WL0624P4S001



9WL0624P4J001



9WL0624P4H001