


**60**mm sq.

# San Ace 60



## General Specifications

- Material ..... Frame: Plastics (Flammability: UL94V-0),  
Impeller: Plastics (Flammability: UL94V-1)
- Expected Life ..... Refer to specifications (L10:Survival rate:90% at 60°C ,  
rated voltage, and continuously run in a free air state)
- Lead Wire ..... ⊕red ⊖black (Sensor) yellow
- Storage Temperature ..... -30°C to +70°C (Non-condensing)

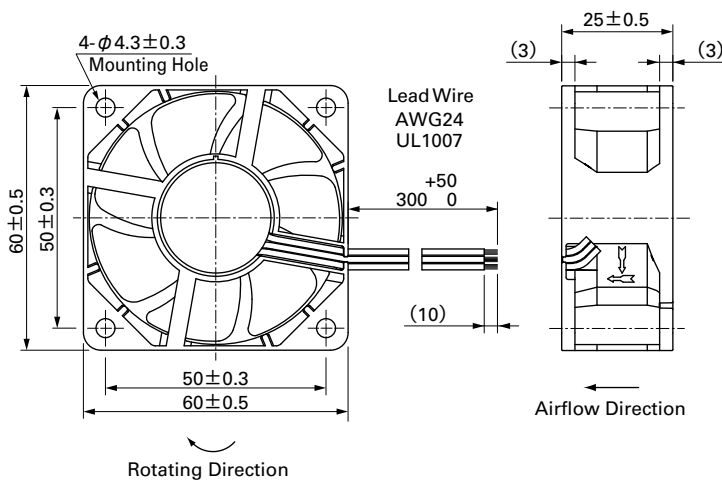
**60×60×25**mm (Mass : 55g) **9S type** **Silent Fan** 

**Specifications** The following nos. **have pulse sensors and ribs.** For ribless, append "1" to the model no.

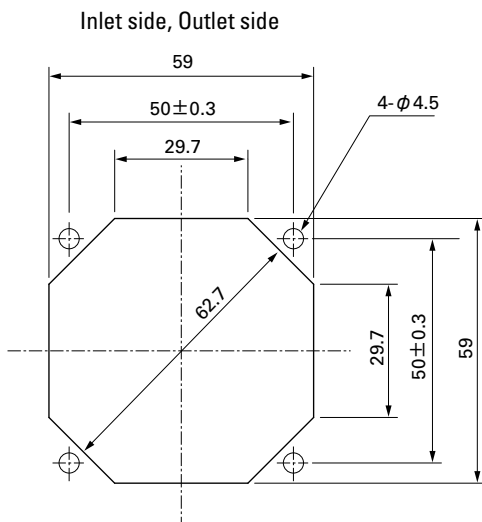
Model No.	Rated Voltage [V]	Operating Voltage Range [V]	Rated Current [A]	Rated Input [W]	Rated Speed [min <sup>-1</sup> ]	Max. Airflow [m <sup>3</sup> /min] [CFM]	Max. Static Pressure [Pa] [inchH <sub>2</sub> O]	SPL [dB(A)]	Operating Temperature [°C]	Expected Life [h]
<b>9S0612S401</b>	12	5.0 to 13.8	0.20	2.40	5,000	0.74 26.1	65.7 0.26	31	-10 to +70	40,000/60°C
<b>9S0612H401</b>			0.11	1.32	3,900	0.58 20.5	40.0 0.16	24		
<b>9S0612F401</b>		6.0 to 13.8	0.08	0.96	3,300	0.49 17.3	29.3 0.12	20		
<b>9S0612M401</b>			0.07	0.84	2,700	0.40 14.1	19.7 0.08	16		

Other sensor specifications are available as options. Please refer to the index (p. 510).

## Dimensions (unit: mm) (With ribs)



## Reference Dimensions of Mounting Holes and Vent Opening (unit: mm)

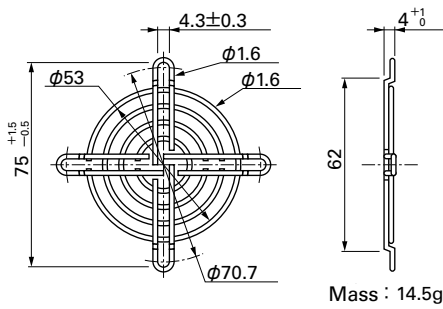


Options (unit: mm)

Finger Guards

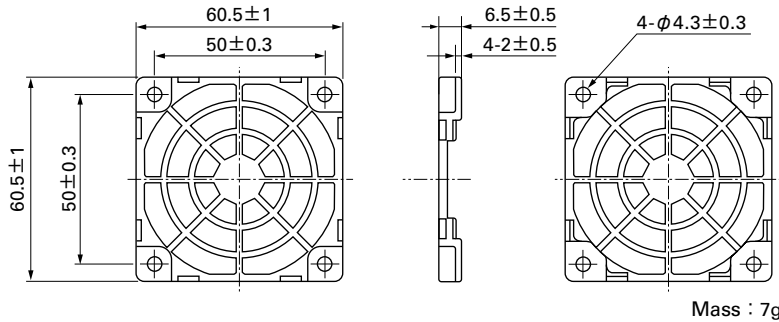
Model : 109-139E Surface treatment : Nickel-chrome plating (silver) Color  
 : 109-139H : Cation electropainting (black)

Inlet side, Outlet side



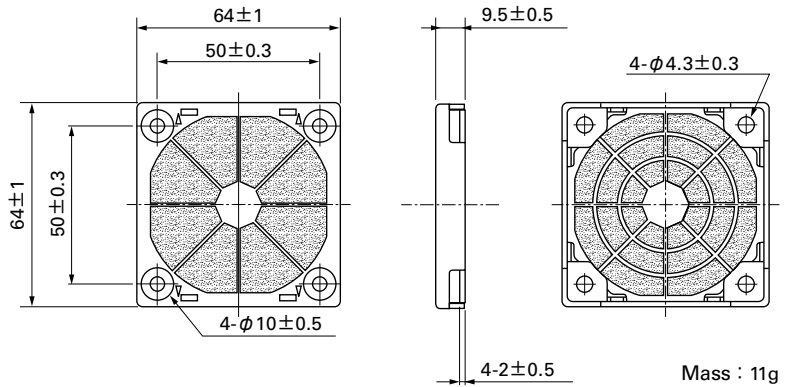
Resin Finger Guards

Model : 109-1003G

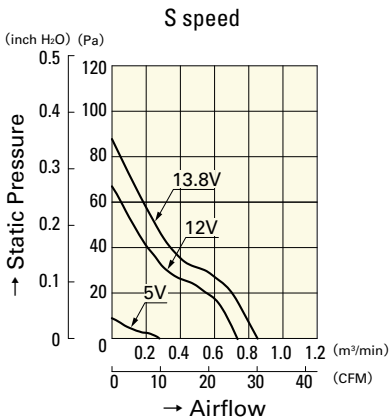


Resin Filter Kits

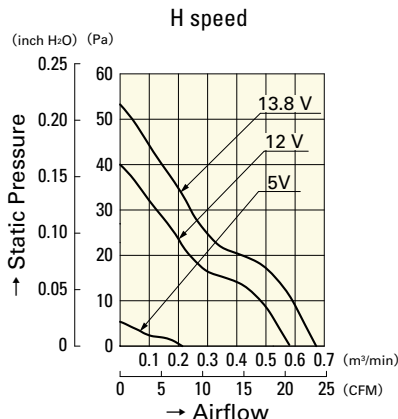
Model : 109-1003F13 (13PPI), 109-1003F20 (20PPI)  
 : 109-1003F30 (30PPI), 109-1003F40 (40PPI)



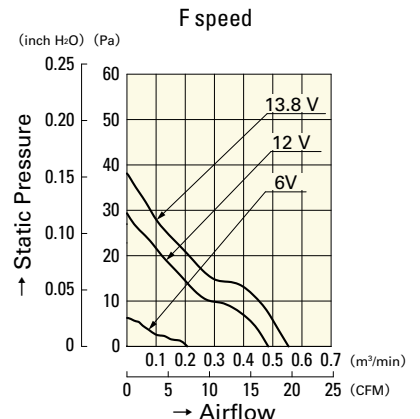
Airflow - Static Pressure Characteristics



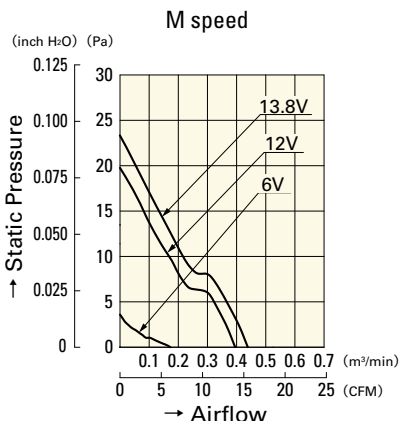
9S0612S401



9S0612H401



9S0612F401



9S0612M401