

DC Fan

60×60×20 mm

San Ace 60 9P type   



General Specifications

- Material Frame: Plastic (Flammability: UL 94V-0), Impeller: Plastic (Flammability: UL 94V-1)
- Expected life See the table below. (L10 life: 90% survival rate for continuous operation in free air at 60°C, rated voltage)
- Motor protection function Locked rotor burnout protection, Reverse polarity protection
For details, please refer to p. 547.
- Dielectric strength 50/60 Hz, 500 VAC, for 1 minute (between lead wire conductors and frame)
- Insulation resistance 10 MΩ or more with a 500 VDC megger (between lead wire conductors and frame)
- Sound pressure level (SPL) At 1 m away from the air inlet
- Storage temperature -30 to +70°C (Non-condensing)
- Lead wire ⊕Red ⊖Black or Blue (Sensor) Yellow
- Mass 90 g

Specifications

The models listed below **have ribs and pulse sensors.**

Model no.	Rated voltage [V]	Operating voltage range [V]	Rated current [A]	Rated input [W]	Rated speed [min ⁻¹]	Max. airflow [m ³ /min] [CFM]	Max. static pressure [Pa] [inchH ₂ O]	SPL [dB (A)]	Operating temperature [°C]	Expected life [h]
109P0612W601	12	6 to 16	0.13	1.56	4200	0.42 14.8	31.8 0.128	31	-20 to +70	60000/60°C
109P0612H601		10.2 to 13.8	0.13	1.56	4200	0.42 14.8	31.8 0.128	31		
109P0612M601			0.09	1.08	3200	0.3 10.6	18.8 0.076	25		
109P0624W601	24	12 to 30	0.07	1.68	4200	0.42 14.8	31.8 0.128	31		
109P0624H601		20.4 to 27.6	0.07	1.68	4200	0.42 14.8	31.8 0.128	31		
109P0624M601			0.05	1.2	3200	0.3 10.6	18.8 0.076	25		
109P0648H601	48	43 to 53	0.07	3.36	5600	0.55 19.4	52.9 0.212	41		40000/60°C

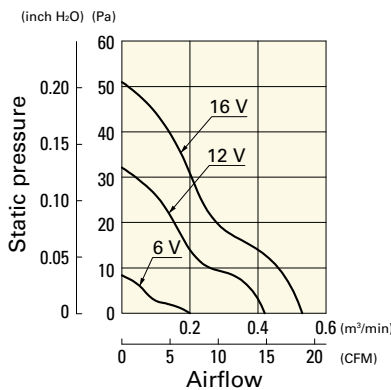
The following sensor and control options are available for selection.

Available for all models. Without sensor Lock sensor

Airflow - Static Pressure Characteristics

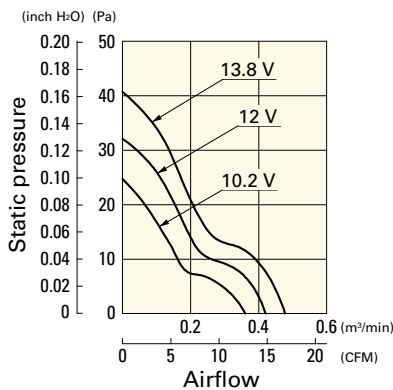
109P0612W601 With pulse sensor

Operating voltage range



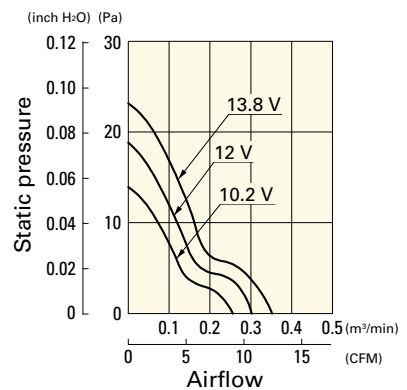
109P0612H601 With pulse sensor

Operating voltage range



109P0612M601 With pulse sensor

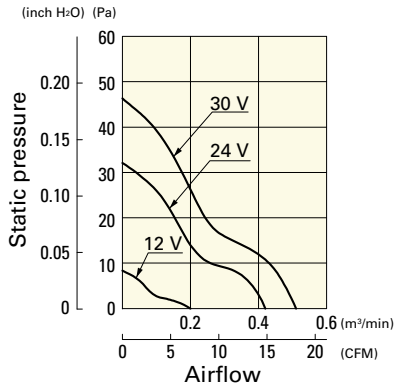
Operating voltage range



Airflow - Static Pressure Characteristics

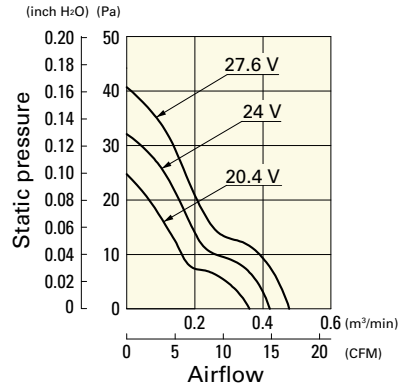
109P0624W601 With pulse sensor

Operating voltage range



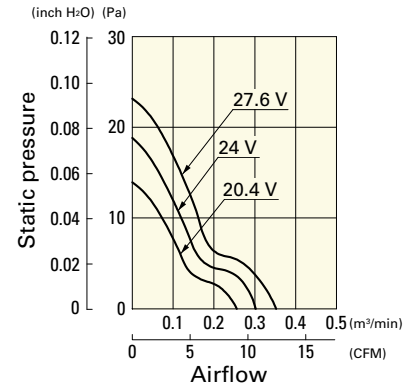
109P0624H601 With pulse sensor

Operating voltage range



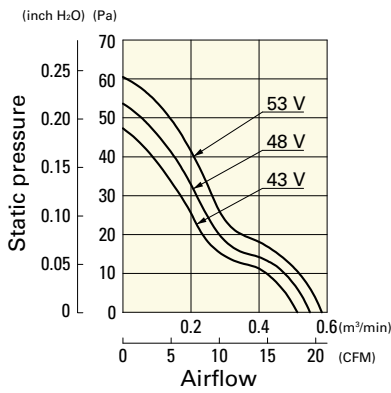
109P0624M601 With pulse sensor

Operating voltage range

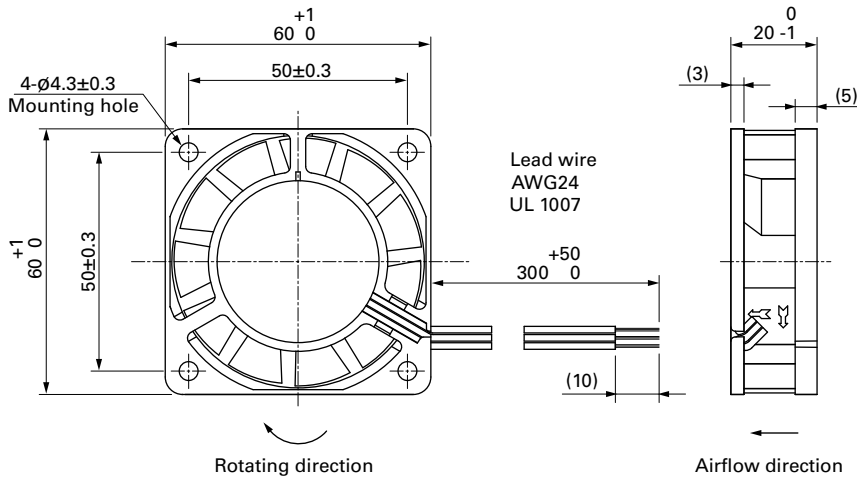


109P0648H601 With pulse sensor

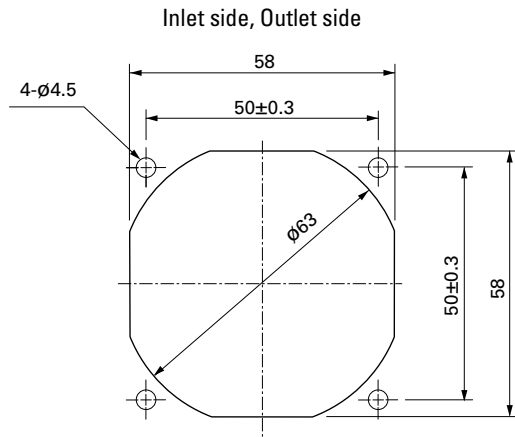
Operating voltage range



Dimensions (unit: mm)



Reference Dimensions of Mounting Holes and Vent Opening (unit: mm)



Options

Finger guards

page: p. 532

Model no.: 109-139E, 109-139H

Resin finger guards

page: p. 539

Model no.: 109-1003G

Resin filter kits

page: p. 540

Model no.: 109-1003F13 (13PPI), 109-1003F20 (20PPI),
109-1003F30 (30PPI), 109-1003F40 (40PPI)