

60mm sq.

San Ace 60



General Specifications

- Material Frame: Plastics (Flammability: UL94V-0),
Impeller: Plastics (Flammability: UL94V-0)
- Expected Life Refer to specifications (L10:Survival rate:90% at 60°C ,
rated voltage, and continuously run in a free air state)
- Lead Wire ⊕red ⊖black (Sensor) yellow (Control) brown
- Storage Temperature -30°C to +70°C (Non-condensing)

60×60×38mm [Mass : 135g] **9HV type**

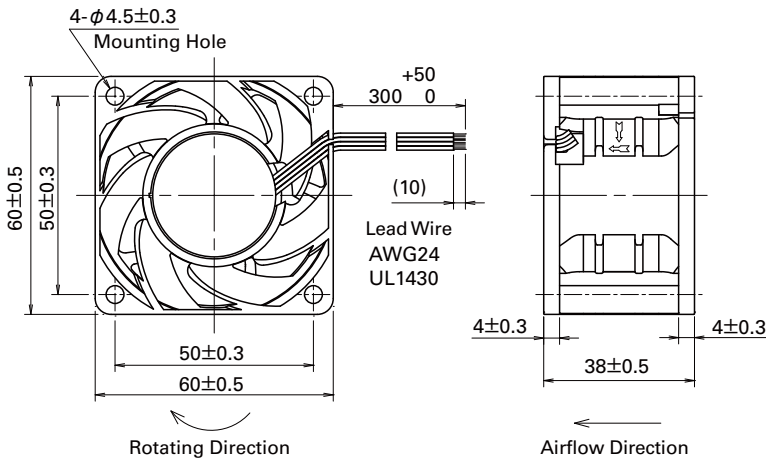
Specifications The following nos. **have PWM controls, pulse sensors, and ribs.** For ribless, append "1" to the model no.

Model No.	Rated Voltage [V]	Operating Voltage Range [V]	PWM duty cycle ^{*)} [%]	Rated Current [A]	Rated Input [W]	Rated Speed [min ⁻¹]	Max. Airflow [m ³ /min] [CFM]	Max. Static Pressure [Pa] [InchH ₂ O]	SPL [dB(A)]	Operating Temperature Range [°C]	Expected Life [h]
9HV0612P1J001	12	10.8 to 12.6	100	2.7	32.4	21,700	1.88 66.4	1,750 7.00	68	-20 to +70	40,000/60°C (70,000/40°C)
			20	0.17	2.04	5,300	0.43 15.2	102 0.41	34		

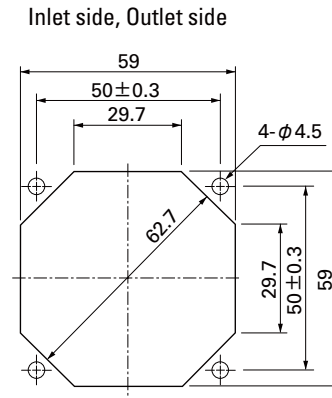
Note: Fan does not rotate when PWM duty cycle is 0%.

*)PWM Frequency : 25kHz

Dimensions (unit: mm) (With ribs)



Reference Dimensions of Mounting Holes and Vent Opening (unit: mm)

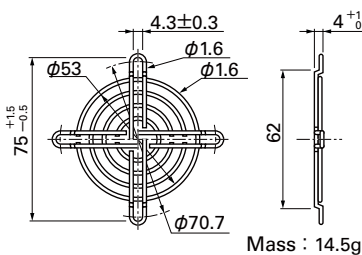


Options (unit: mm)

Finger Guards

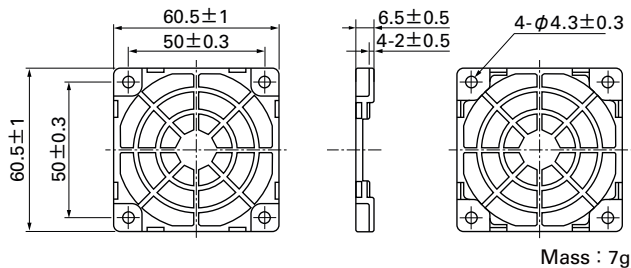
Model : 109-139E Surface treatment : Nickel-chrome plating (silver) Color
: 109-139H : Cation electropainting (black)

Inlet side, Outlet side



Resin Finger Guards

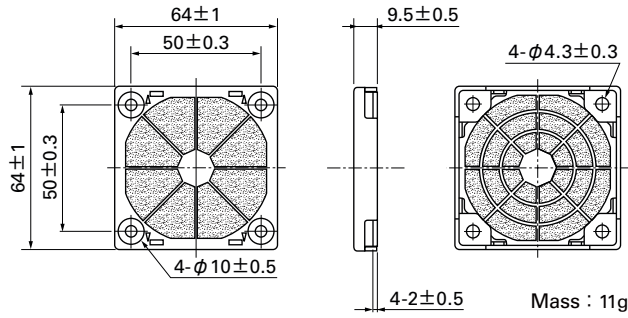
Model : 109-1003G



Options (unit: mm)

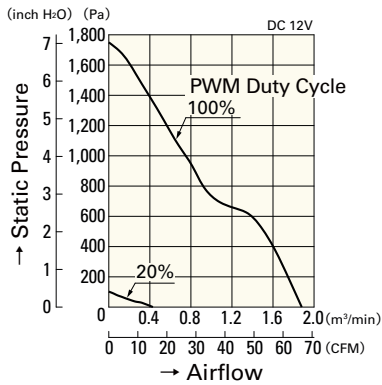
Resin Filter Kits

Model : 109-1003F13 (13PPI), 109-1003F20 (20PPI)
: 109-1003F30 (30PPI), 109-1003F40 (40PPI)



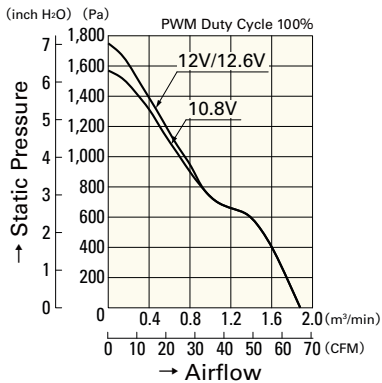
Airflow - Static Pressure Characteristics

PWM Duty Cycle



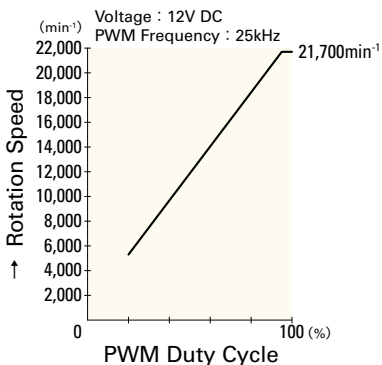
9HV0612P1J001

Operating Voltage Range



9HV0612P1J001

PWM Duty - Speed Characteristics Example



9HV0612P1J001