

# 52x52x15 mm

San Ace 52 9P type   



## General Specifications

- Material ..... Frame: Plastic (Flammability: UL 94V-0), Impeller: Plastic (Flammability: UL 94V-1)
- Expected life ..... See the table below. (L10 life: 90% survival rate for continuous operation in free air at 60°C, rated voltage)
- Motor protection function ..... Locked rotor burnout protection, Reverse polarity protection  
For details, please refer to p. 529.
- Dielectric strength ..... 50/60 Hz, 500 VAC, for 1 minute (between lead wire conductors and frame)
- Insulation resistance ..... 10 MΩ or more with a 500 VDC megger (between lead wire conductors and frame)
- Sound pressure level (SPL) ..... At 1 m away from the air inlet
- Storage temperature ..... -30 to +70°C (Non-condensing)
- Lead wire ..... ⊕Red ⊖Black or Blue (Sensor) Yellow
- Mass ..... 55 g

## Specifications

The models listed below **have ribs and pulse sensors.**

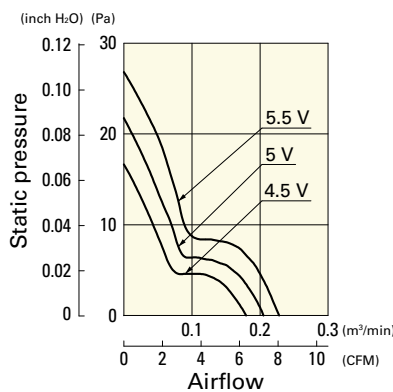
Model no.	Rated voltage [V]	Operating voltage range [V]	Rated current [A]	Rated input [W]	Rated speed [min <sup>-1</sup> ]	Max. airflow [m <sup>3</sup> /min] [CFM]	Max. static pressure [Pa] [inchH <sub>2</sub> O]	SPL [dB (A)]	Operating temperature [°C]	Expected life [h]
109P0505M701	5	4.5 to 5.5	0.15	0.75	3700	0.205 7.24	21.4 0.086	22	-20 to +70	60000/60°C
109P0512A701	12	10.2 to 13.8	0.21	2.52	6800	0.375 13.25	69.7 0.28	36		40000/60°C
109P0512H701		7 to 13.8	0.1	1.2	4600	0.255 9.0	31.9 0.128	27		60000/60°C
109P0512M701		0.07	0.84	3700	0.205 7.24	21.4 0.086	22			
109P0524A701	24	14 to 27.6	0.11	2.64	6800	0.375 13.24	69.7 0.28	36	-20 to +60	40000/60°C
109P0524H701			0.05	1.2	4600	0.255 9.0	31.9 0.128	27	-20 to +70	60000/60°C
109P0524M701			0.04	0.96	3700	0.205 7.24	21.4 0.086	22		

Other sensor specifications are available as options. Refer to the index (p. 544).

## Airflow - Static Pressure Characteristics

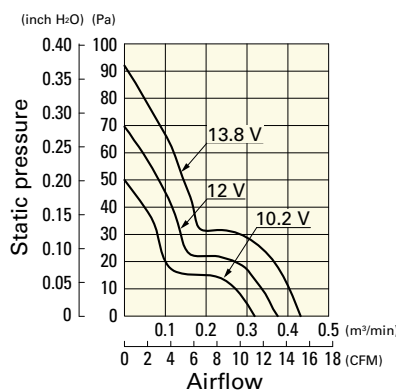
**109P0505M701** With pulse sensor

Operating voltage range



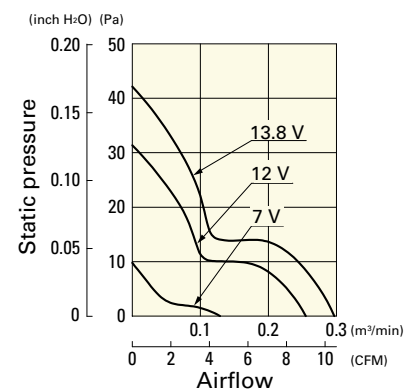
**109P0512A701** With pulse sensor

Operating voltage range



**109P0512H701** With pulse sensor

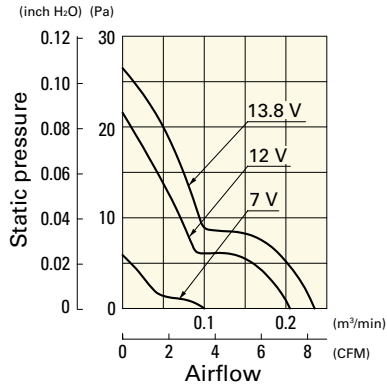
Operating voltage range



**Airflow - Static Pressure Characteristics**

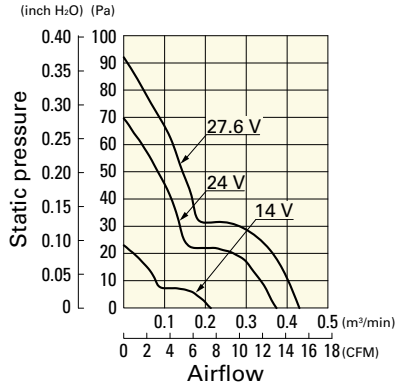
**109P0512M701** With pulse sensor

Operating voltage range



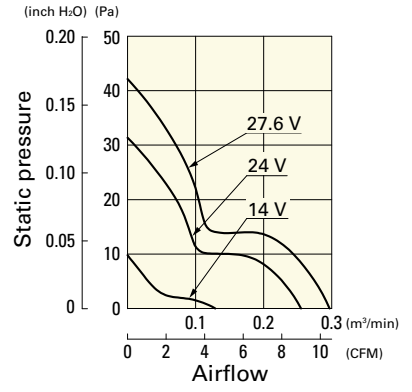
**109P0524A701** With pulse sensor

Operating voltage range



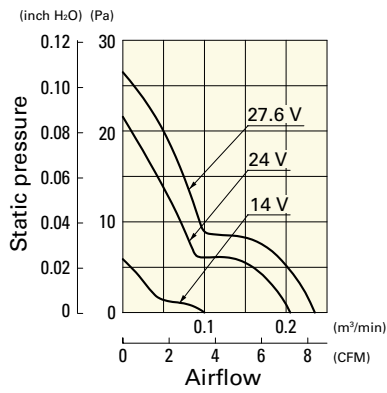
**109P0524H701** With pulse sensor

Operating voltage range

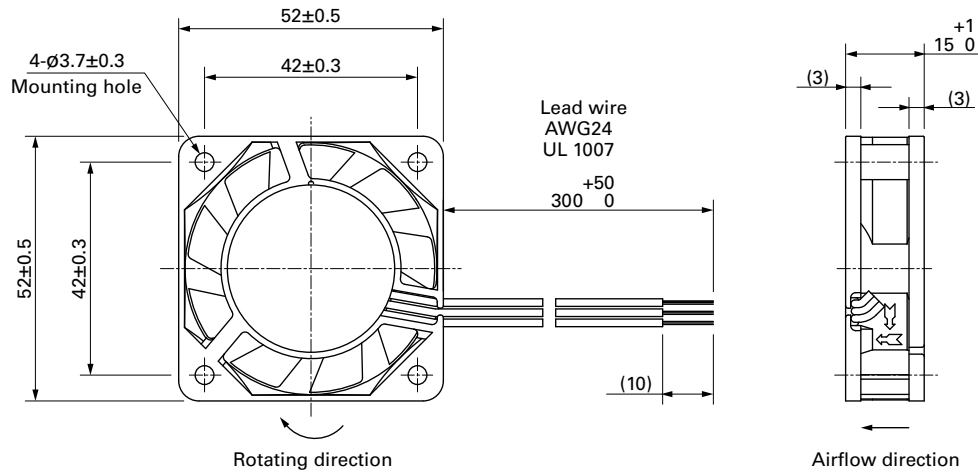


**109P0524M701** With pulse sensor

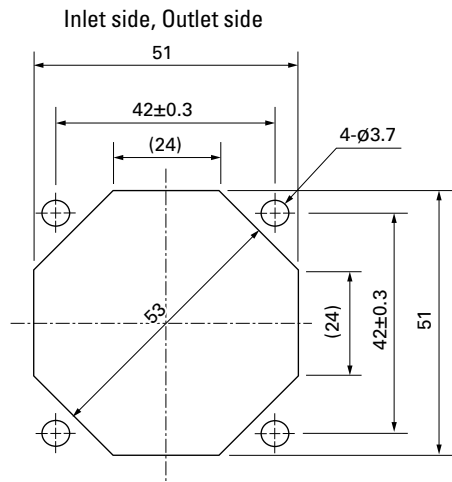
Operating voltage range



**Dimensions (unit: mm)**



## Reference Dimensions of Mounting Holes and Vent Opening (unit: mm)



## Options

Finger guards

page: p. 513

Model no.: 109-149, 109-149E