

40 mm sq.

San Ace 40



General Specifications

- Material Frame: Aluminum, Impeller: Plastics (Flammability: UL94V-0)
- Expected Life Refer to specifications (L10:Survival rate:90% at 60°C , rated voltage, and continuously run in a free air state)
- Lead Wire ⊕red ⊖black (Sensor) yellow (Control) brown
- Storage Temperature -30°C to +70°C (Non-condensing)

40×40×28mm [Mass : 60g] **9HV** type

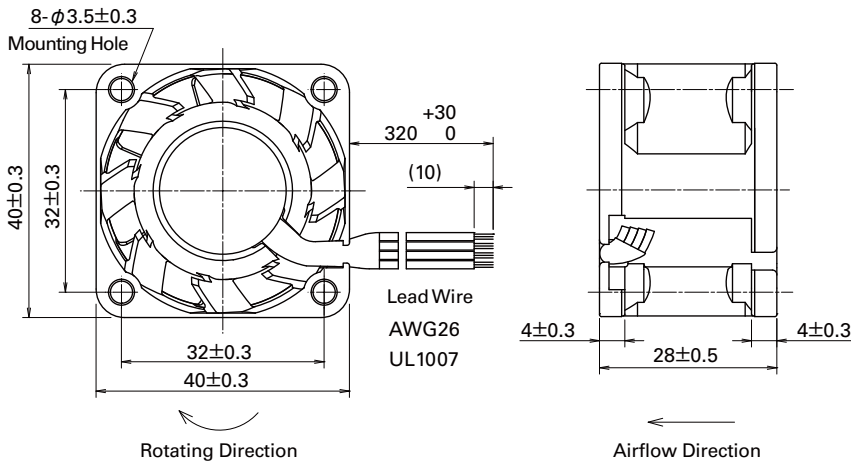
Specifications

The following nos. **have PWM controls and pulse sensors.**

Model No.	Rated Voltage [V]	Operating Voltage Range [V]	PWM duty cycle* [%]	Rated Current [A]	Rated Input [W]	Rated Speed [min ⁻¹]	Max. Airflow [m ³ /min] [CFM]	Max. Static Pressure [Pa] [inchH ₂ O]	SPL [dB(A)]	Operating Temperature [°C]	Expected Life [h]
9HV0412P3K001	12	10.8 to 12.6	100	1.52	18.3	25,000	0.83 29.3	1,100 4.42	65	-20 to +60	40,000/60°C
			0	0.2	2.4	7,500	0.25 8.8	99 0.40	37		

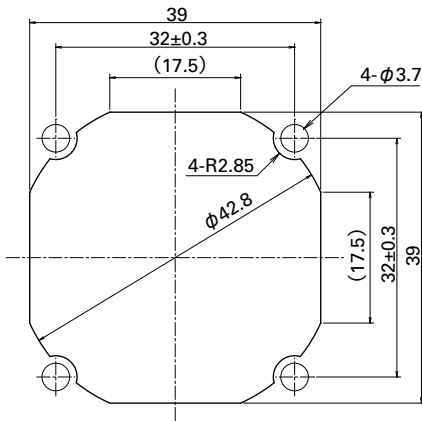
*PWM Frequency : 25kHz

Dimensions (unit: mm)



Reference Dimensions of Mounting Holes and Vent Opening (unit: mm)

Inlet side, Outlet side



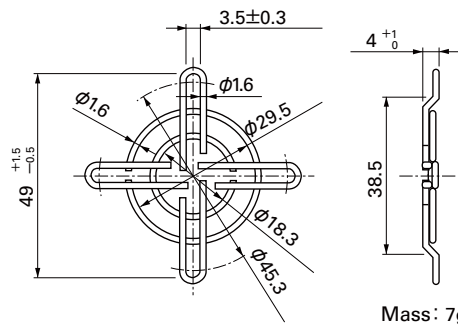
Options (unit: mm)

Finger Guards

Model : 109-059 Surface treatment : Nickel-chrome plating (silver)
: 109-059H : Cation electroplating (black)

Color

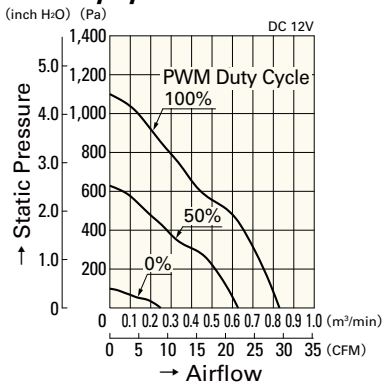
Inlet side, Outlet side



Mass: 7g

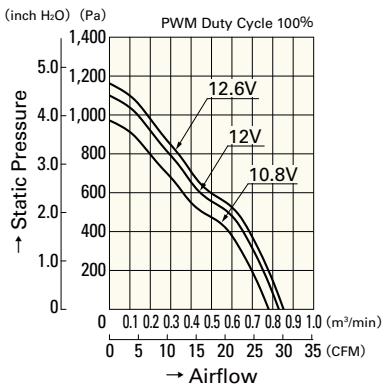
Airflow - Static Pressure Characteristics

PWM Duty Cycle



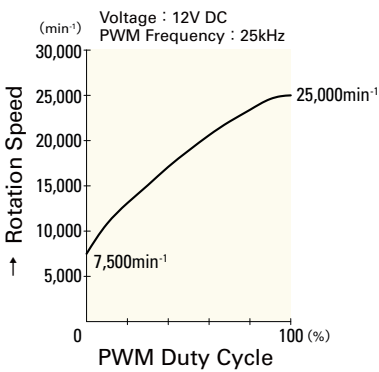
9HV0412P3K001

Operating Voltage Range



9HV0412P3K001

PWM Duty - Speed Characteristics Example



9HV0412P3K001