

DC Fan

36×36×28 mm

San Ace 36 9GV type   



General Specifications

- Material Frame: Plastic (Flammability: UL 94V-0), Impeller: Plastic (Flammability: UL 94V-1)
- Expected life See the table below. (L10 life: 90% survival rate for continuous operation in free air at 60°C, rated voltage)
Expected life at 40°C is for reference only.
- Motor protection function Locked rotor burnout protection, Reverse polarity protection
For details, please refer to p. 573.
- Dielectric strength 50/60 Hz, 500 VAC, for 1 minute (between lead wire conductors and frame)
- Insulation resistance 10 MΩ or more with a 500 VDC megger (between lead wire conductors and frame)
- Sound pressure level (SPL) At 1 m away from the air inlet
- Storage temperature -20 to +70°C (Non-condensing)
- Lead wire ⊕Red ⊖Black (Sensor) Yellow
- Mass 46 g

Specifications

The models listed below **have ribs and pulse sensors.**

| Model no. | Rated voltage [V] | Operating voltage range [V] | Rated current [A] | Rated input [W] | Rated speed [min ⁻¹] | Max. airflow [m ³ /min] [CFM] | Max. static pressure [Pa] [inchH ₂ O] | SPL [dB (A)] | Operating temperature [°C] | Expected life [h] |
|-------------|-------------------|-----------------------------|-------------------|-----------------|----------------------------------|--|--|--------------|----------------------------|----------------------------|
| 9GV3612J301 | 12 | 7.0 to 13.2 | 0.75 | 9.0 | 19000 | 0.55 19.4 | 525 2.108 | 58.5 | -20 to +60 | 40000/60°C (70000/40°C) |
| 9GV3612G301 | | | 0.34 | 4.08 | 14000 | 0.4 14.1 | 275 1.104 | 52.0 | | |

The following sensor and control options are available for selection.

Available for all models. Without sensor Lock sensor PWM control

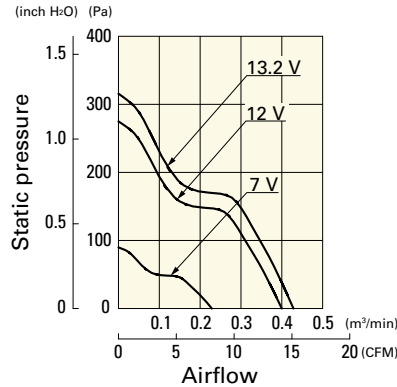
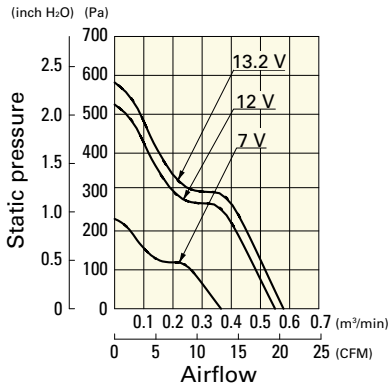
Airflow - Static Pressure Characteristics

9GV3612J301 With pulse sensor

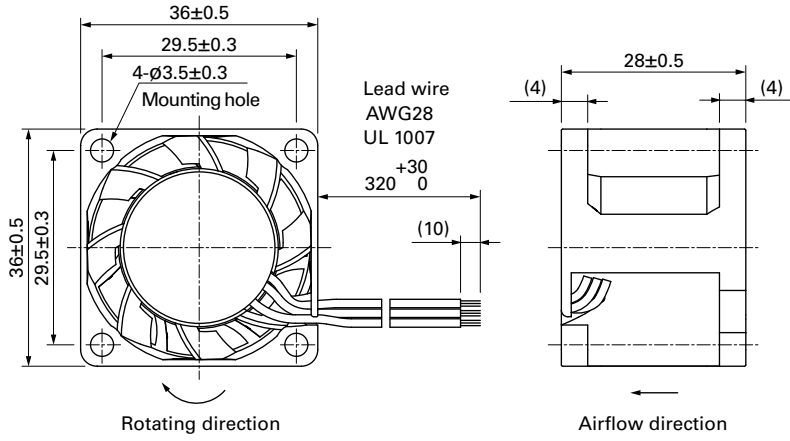
9GV3612G301 With pulse sensor

Operating voltage range

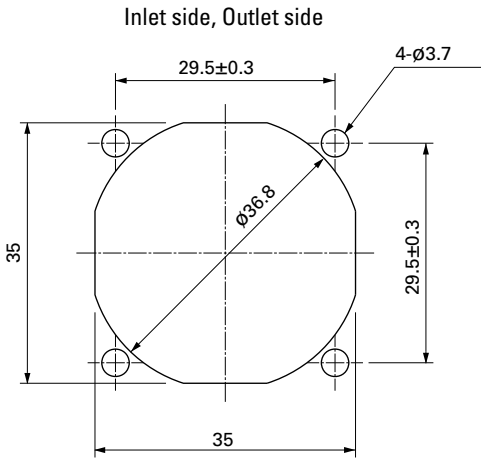
Operating voltage range



Dimensions (unit: mm) (With pulse sensor)



Reference Dimensions of Mounting Holes and Vent Opening (unit: mm)



Options

Finger guards

page: p. 558

Model no.: 109-1050