

φ 225mm

San Ace C225



General Specifications

- Material Motor case: Aluminum,
Impeller: Plastics (Flammability: UL94V-0)
- Expected Life Refer to specifications (L10:Survival rate: 90% at 60°C ,
rated voltage, and continuously run in a free air state)
- Lead Wire ⊕red ⊖black (Sensor) yellow (Control) brown
- Storage Temperature -30°C to +70°C (Non-condensing)

φ225mm×99mm (Mass : 1,220g) **9T type**

Specifications

When inlet nozzle [Option (Model : 109-1134)] is mounted. The following nos. **have PWM controls and pulse sensors.**

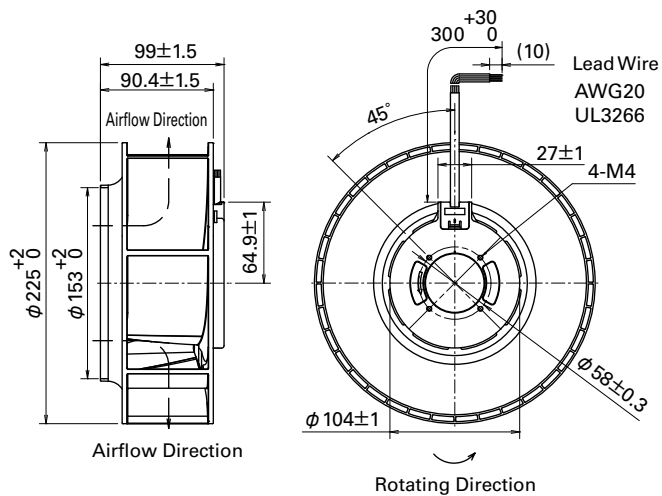
Model No.	Rated Voltage [V]	Operating Voltage Range [V]	PWM duty cycle _{Non(0) [%]}	Rated Current [A]	Rated Input [W]	Rated Speed [min ⁻¹]	Max. Airflow [m ³ /min] [CFM]	Max. Static Pressure [Pa] [inchH ₂ O]	SPL [dB(A)]	Operating Temperature [°C]	Expected Life [h]
9TS48P0G001	48	36 to 72	100	3.65	175.2	3,550	28.1 992	861 3.46	74.5	-20 to +60	40,000/60°C (70,000/40°C)
			15	0.24	11.5	1,000	7.85 277	68.5 0.28	52.0		
9TS48P0H001			100	2.08	99.8	2,900	22.7 802	590 2.37	70.5	-20 to +70	
			15	0.24	11.5	1,000	7.85 277	68.5 0.28	52.0		

Note 1 : Fan does not rotate when PWM duty cycle is 0% .

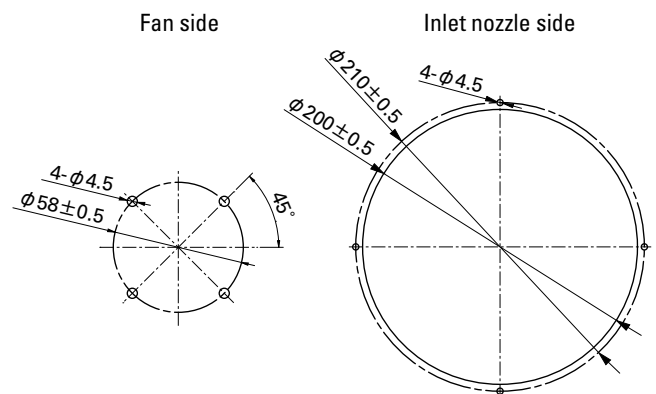
※PWM Frequency : 25kHz

Note 2 : Max input of 9TS48P0G001: 380 W, 9TS48P0H001: 200 W at rated voltage.

Dimensions (unit: mm)



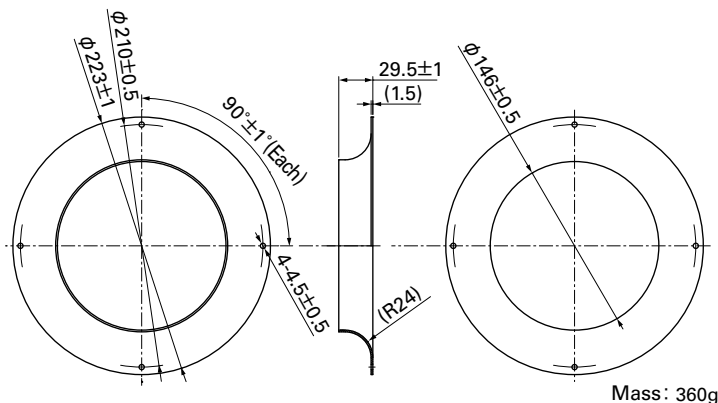
Reference Dimensions of Mounting Holes and Vent Opening (unit: mm)



Options (unit: mm)

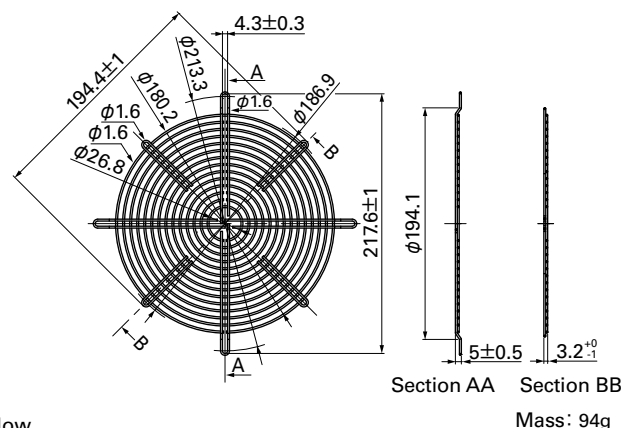
Inlet Nozzle

Model : 109-1134 Material : Steel sheet Surface treatment : Electro nickel plating (silver) Color (silver)



Finger Guards

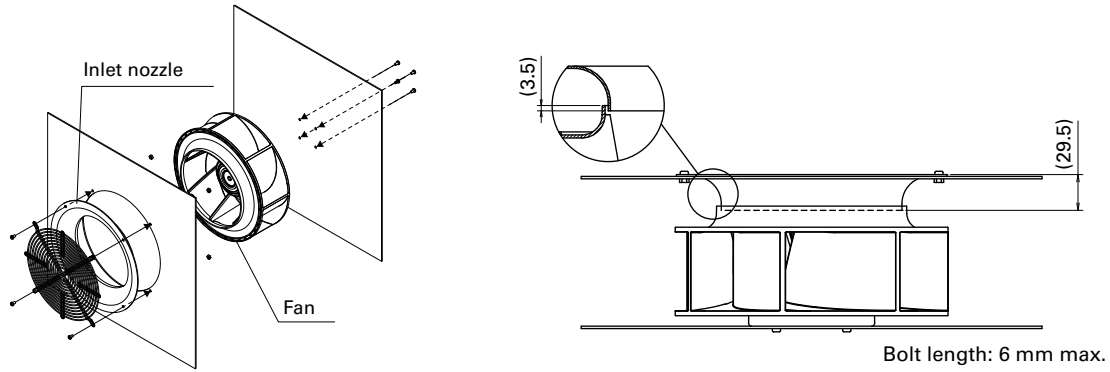
Model : 109-1137 Surface treatment : Nickel-chrome plating (silver) Color (silver)



Inlet nozzle: Equipment to be mounted in inlet side for adjusting incoming airflow.

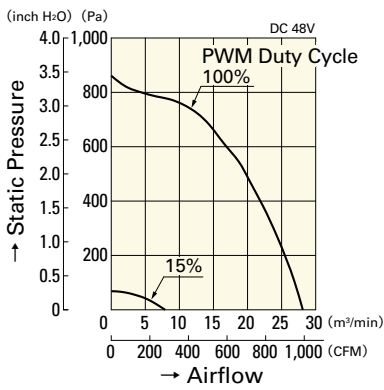
Reference Diagram for Mounting

Bracket-mounted model of this fan is available. For details, please refer to pp. 389 to 390.

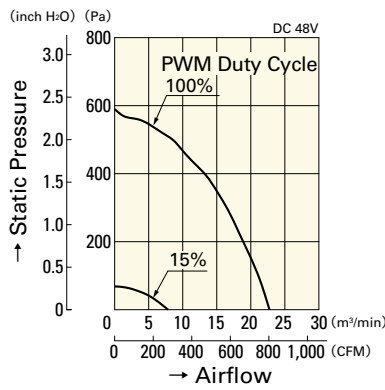


Airflow - Static Pressure Characteristics

PWM Duty Cycle

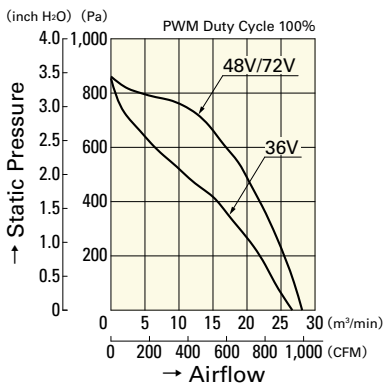


9TS48P0G001

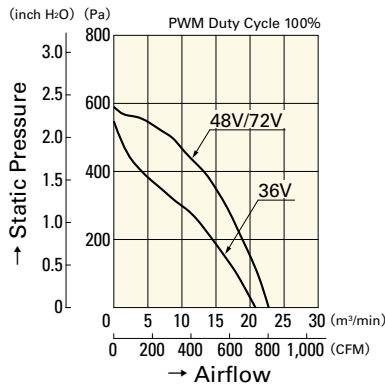


9TS48P0H001

Operating Voltage Range

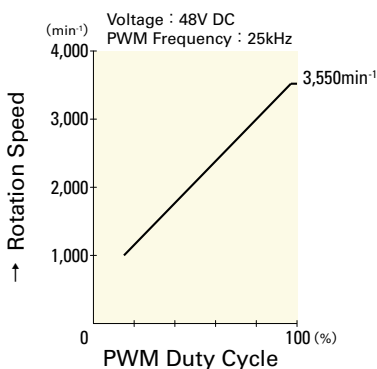


9TS48P0G001

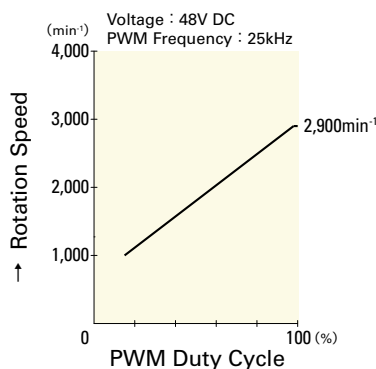


9TS48P0H001

PWM Duty - Speed Characteristics Example



9TS48P0G001



9TS48P0H001