

ϕ 175mm

San Ace C175



General Specifications

- Material Motor case: Aluminum,
Impeller: Plastics (Flammability: UL94V-0)
- Expected Life Refer to specifications (L10:Survival rate: 90% at 60°C ,
rated voltage, and continuously run in a free air state)
- Lead Wire ⊕red ⊖black (Sensor) yellow (Control) brown
- Storage Temperature -30°C to +70°C (Non-condensing)

ϕ 175mm × 69mm (Mass : 750g) **9TG type**

Specifications

When inlet nozzle [Option (Model : 109-1073)] is mounted. The following nos. **have PWM controls and pulse sensors.**

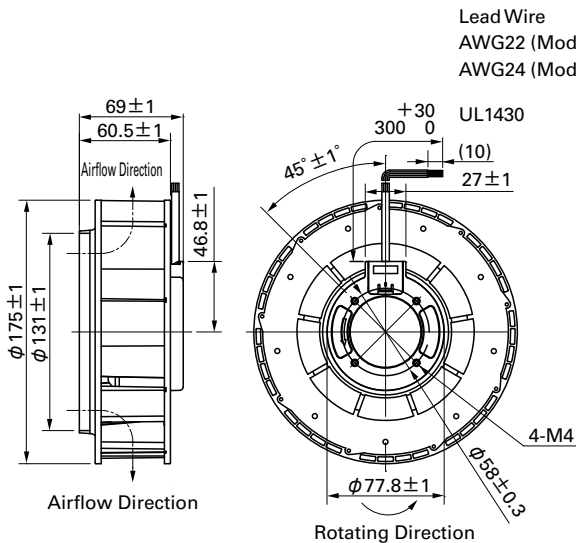
Model No.	Rated Voltage [V]	Operating Voltage Range [V]	PWM duty cycle ^{*)} [%]	Rated Current [A]	Rated Input [W]	Rated Speed [min ⁻¹]	Max. Airflow [m ³ /min] [CFM]	Max. Static Pressure [Pa] [inchH ₂ O]	SPL [dB(A)]	Operating Temperature [°C]	Expected Life [h]
9TG24P0G01	24	20.4 to 27.6	100	3.9	93.6	4,700	14.0 494.7	885 3.55	73	-20 to +60	40,000/60°C
9TG24P0S01				2.35	56.40	3,900	11.6 409.8	609 2.45	69	-20 to +70	
9TG48P0G01	48	36 to 55.2		1.95	93.6	4,700	14.0 494.7	885 3.55	73		

Note 1 : Fan does not rotate when PWM duty cycle is 0% .
Note 2 : Max input is 130W at rated voltage.

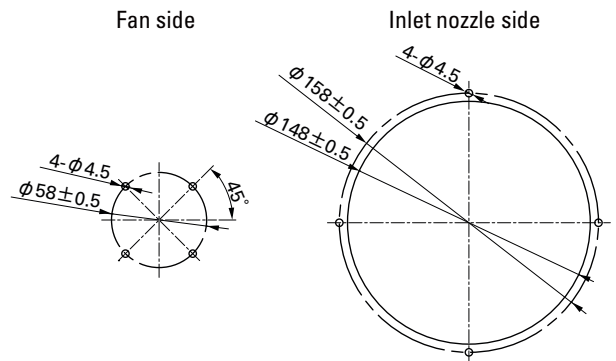
*)PWM Frequency : 25kHz

Models without sensors or with pulse sensors (no PWM function) are available as options. Please refer to the index (p. 480).

Dimensions (unit: mm)



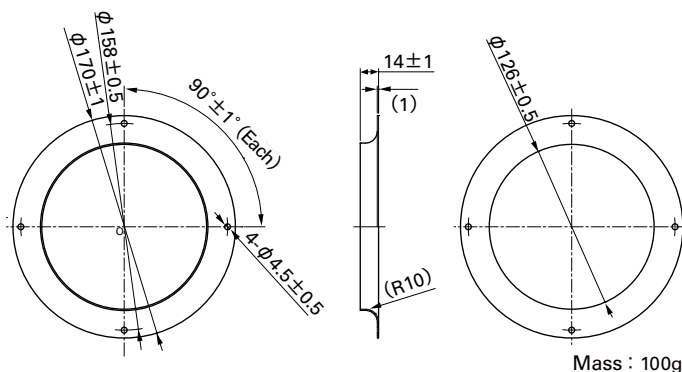
Reference Dimensions of Mounting Holes and Vent Opening (unit: mm)



Options (unit: mm)

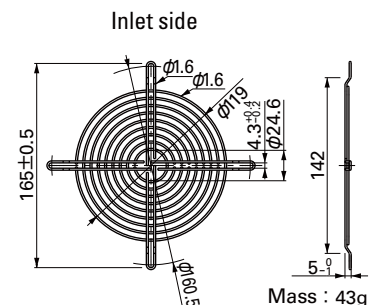
Inlet Nozzle

Model : 109-1073 Material : Steel sheet Surface treatment : Electro nickel plating (silver) Color : (silver)
: 109-1073H : Steel sheet : Cation electropainting (black)



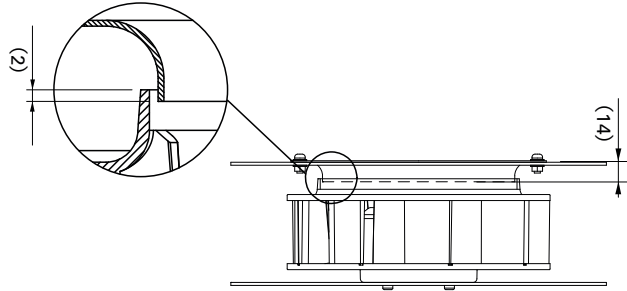
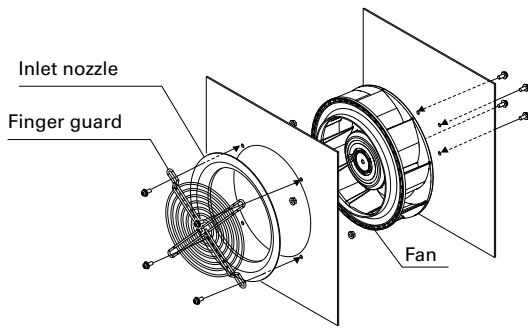
Finger Guards

Model : 109-722 Surface treatment : Nickel-chrome plating (silver) Color : (silver)



Inlet nozzle : Nozzle mounted in fan inlet side to adjust the flow of introduced air

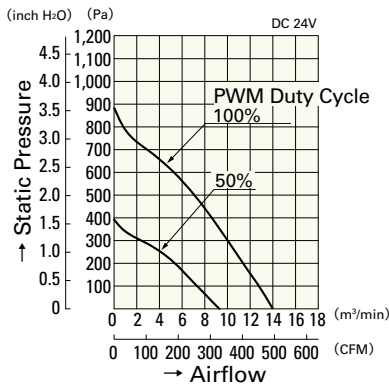
Reference Diagram for Mounting



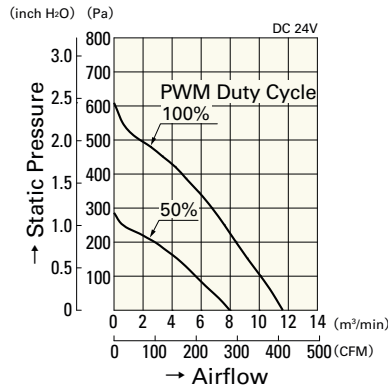
Screw length should be 4 mm or more but not exceeding 6 mm from fan edge face. To prevent screw from losing, use plain washer and spring washer.

Airflow - Static Pressure Characteristics

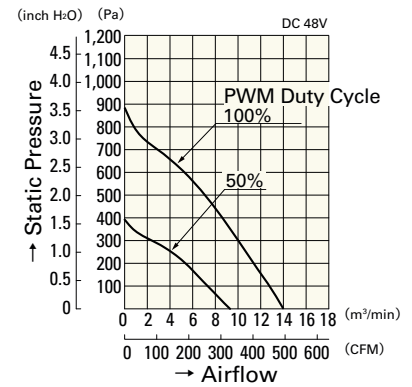
PWM Duty Cycle



9TG24P0G01

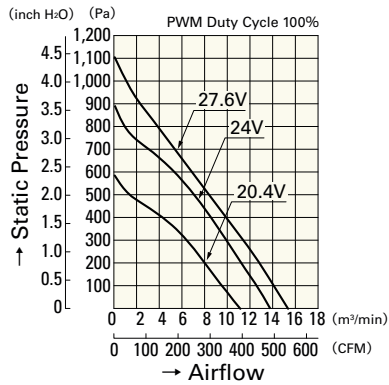


9TG24P0S01

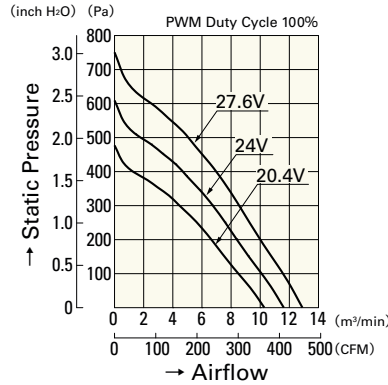


9TG48P0G01

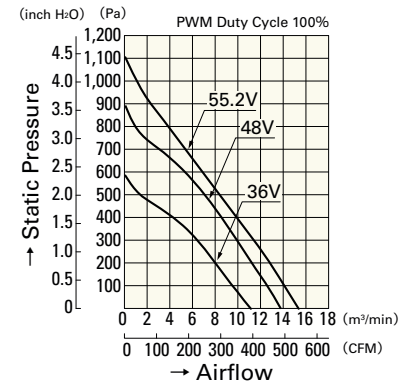
Operating Voltage Range



9TG24P0G01

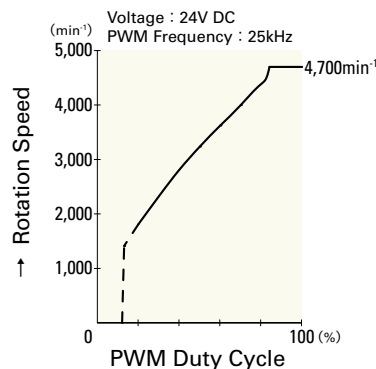


9TG24P0S01

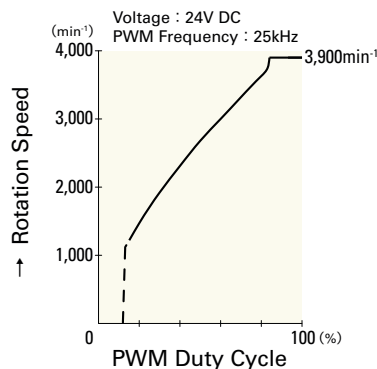


9TG48P0G01

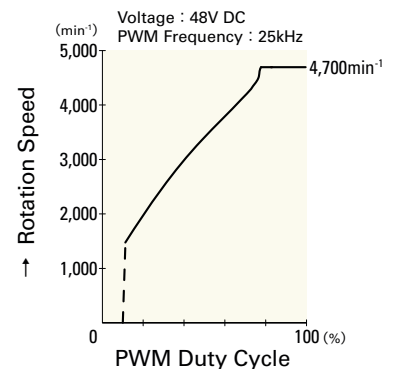
PWM Duty - Speed Characteristics Example



9TG24P0G01



9TG24P0S01



9TG48P0G01