

**φ172mm**

# San Ace 172



## General Specifications

- Material ..... Frame: Aluminum, Impeller: Plastics (Flammability: UL94V-1)
- Expected Life ..... Refer to specifications (L10:Survival rate:90% at 60°C ,  
rated voltage, and continuously run in a free air state)
- Lead Wire ..... ⊕red ⊖black (Sensor) yellow (Control) brown
- Storage Temperature ..... -30°C to +70°C (Non-condensing)

**φ172mm × 150mm × 51mm** [Mass : 800g]

**9HV type Sidecut type**



## Specifications The following nos. have PWM controls and pulse sensors.

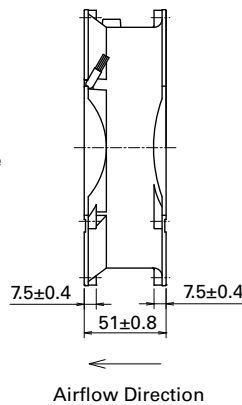
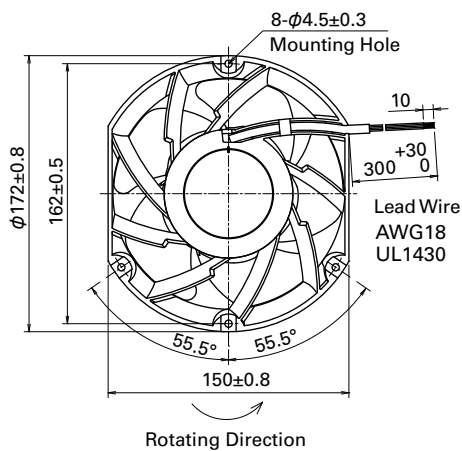
Model No.	Rated Voltage [V]	Operating Voltage Range [V]	PWM duty cycle <sup>Note1)</sup> [%]	Rated Current [A]	Rated Input [W]	Rated Speed [min <sup>-1</sup> ]	Max. Airflow [m <sup>3</sup> /min] [CFM]	Max. Static Pressure [Pa] [inchH <sub>2</sub> O]	SPL [dB(A)]	Operating Temperature [°C]	Expected Life [h]
9HV5724P5H001	24	16 to 30	100	5.0	120	8,000	12.3 434	1,000 4.02	77	-20 to +70	40,000/60°C (70,000/40°C)
			20	0.50	12.0	3,000	4.60 162	175 0.70	51		
9HV5748P5G001	48	36 to 72	100	5.0	240	10,500	16.1 568	1,600 6.43	83		
			20	0.41	19.7	3,700	5.60 198	250 1.01	57		

Note: Fan does not rotate when PWM duty cycle is 0%.

※PWM Frequency : 25kHz

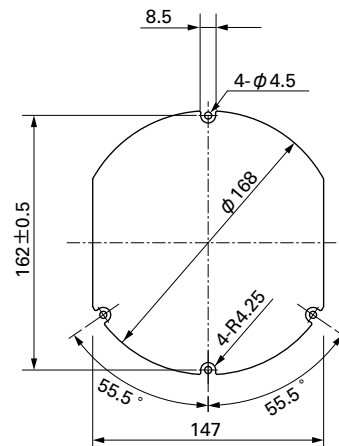
Other sensor specifications are available as options. Please refer to the index (p. 509).

## Dimensions (unit: mm)



## Reference Dimensions of Mounting Holes and Vent Opening (unit: mm)

Inlet side, Outlet side



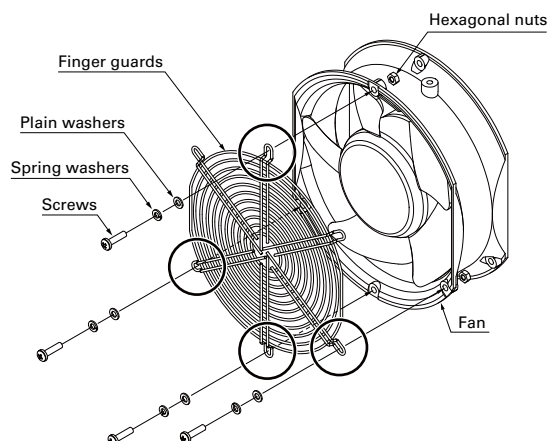
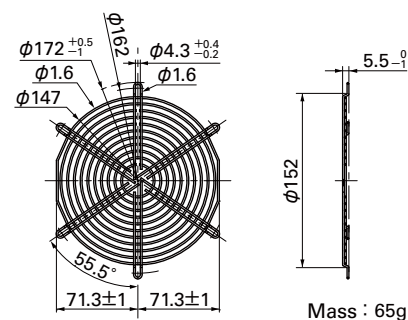
## Options (unit: mm)

### Finger Guards

Model : 109-319J Surface treatment : Nickel-chrome plating (silver) Color

Finger guard 109-319J should be mounted with four holes as in the drawing.

Inlet side, Outlet side



**Options (unit: mm)**

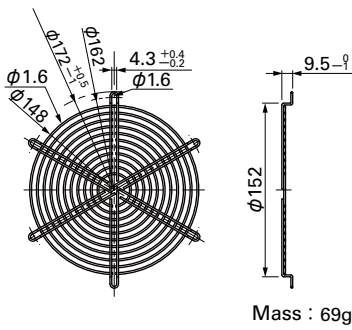
**Finger Guards**

Model : 109-319E Surface treatment : Nickel-chrome plating (silver)  
 : 109-319H : Cation electropainting (black)

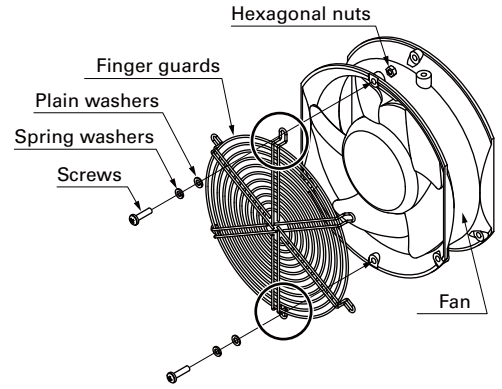
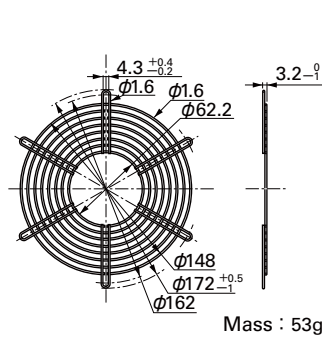
Model : 109-320 Surface treatment : Nickel-chrome plating (silver)

Finger guards 109-319E, 109-319H, and 109-320 should be mounted with two holes as in the drawing and do not use any other holes.

Inlet side, Outlet side

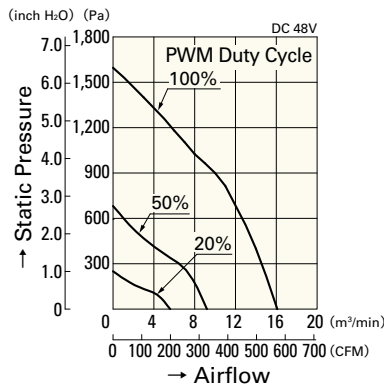
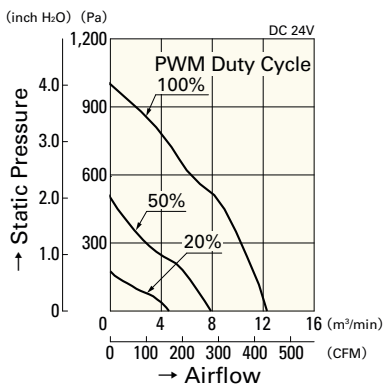


Outlet side



**Airflow - Static Pressure Characteristics**

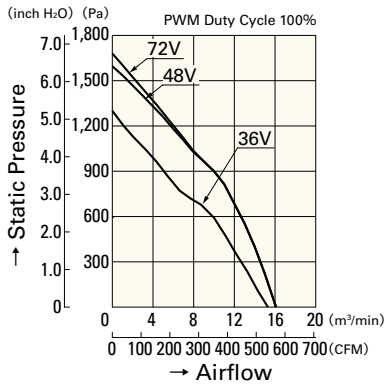
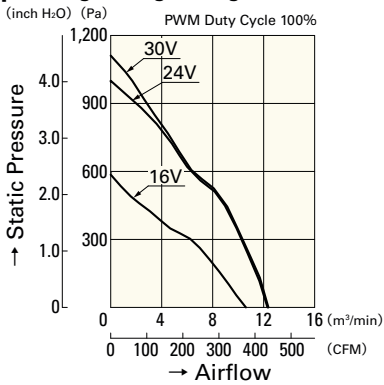
**PWM Duty Cycle**



**9HV5724P5H001**

**9HV5748P5G001**

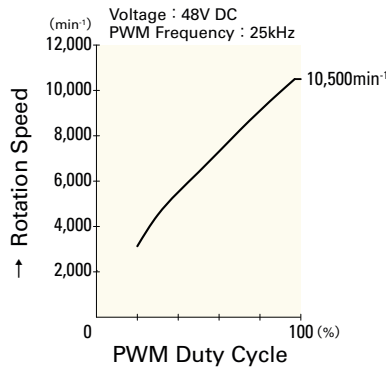
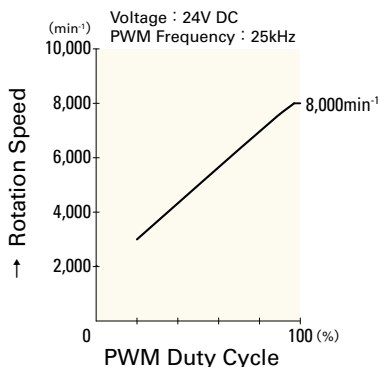
**Operating Voltage Range**



**9HV5724P5H001**

**9HV5748P5G001**

**PWM Duty - Speed Characteristics Example**



**9HV5724P5H001**

**9HV5748P5G001**