

**φ150mm**

# San Ace 150W

35mm thick



## General Specifications

- Material ..... Motor case: Aluminum (Black Painting),  
Impeller: Plastics (Flammability: UL94V-0)
- Expected Life ..... Refer to specifications (Indoor, L10:Survival rate: 90% at 60°C ,  
rated voltage, and continuously run in a free air state)
- Lead Wire ..... ⊕red ⊖black (Sensor) yellow (Control) brown
- Storage Temperature ..... -30°C to +70°C (Non-condensing)

**φ150mm×35mm** (Mass : 330g) **IP54**

## Specifications

When our inletnozzle [Option (Model : 109-1081)] is mounted. The following nos. **have PWM controls and pulse sensors.**

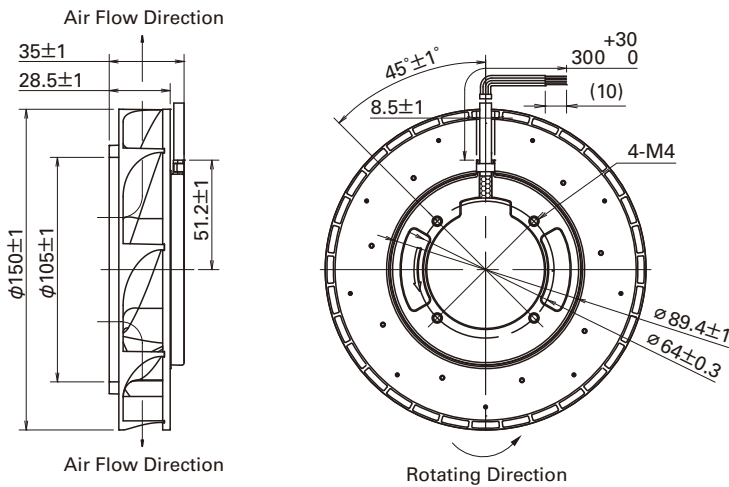
Model No.	Rated Voltage [V]	Operating Voltage Range [V]	PWM duty cycle <sup>(Note1)</sup> [%]	Rated Current [A]	Rated Input [W]	Rated Speed [min <sup>-1</sup> ]	Max. Air Flow [m <sup>3</sup> /min] [CFM]	Max. Static Pressure [Pa] [inchH <sub>2</sub> O]	SPL [dB(A)]	Operating Temperature [°C]	Expected Life <sup>(Note2)</sup> [h]
<b>9W1TN48P1H01</b>	48	36.0 to 55.2	100	0.32	15.4	3,800	3.83 135	390 1.57	59	-20 to +70	40,000/60°C (70,000/40°C)

Note 1: Fan does not rotate when PWM duty cycle is 0%.  
Note 2: Expected life at 40°C ambient is just reference value.  
Max input is 22W at rated voltage.

※PWM Frequency : 25kHz

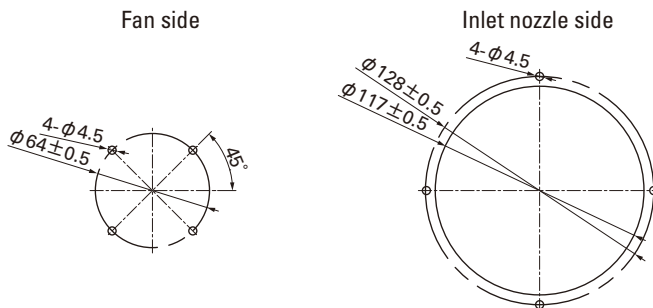
- Available options: ⇒ **Without Sensor** **Pulse Sensor**

## Dimensions (Unit : mm)



Lead Wire  
AWG24  
UL1061

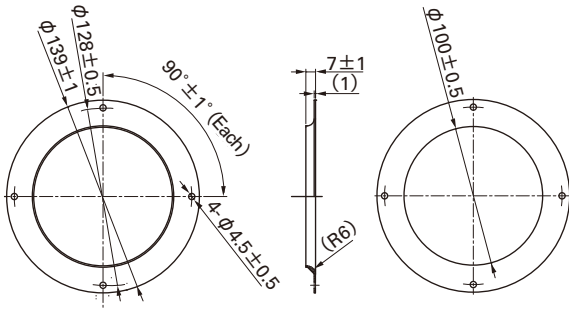
## Reference dimension of mounting holes and vent opening (Unit : mm)



## Options (Unit : mm)

### Inlet nozzle

Model : 109-1081 Material : Steel sheet Surface treatment : Electro nickel plating (silver)  
 : 109-1081H : Steel sheet : Cation electropainting (black)

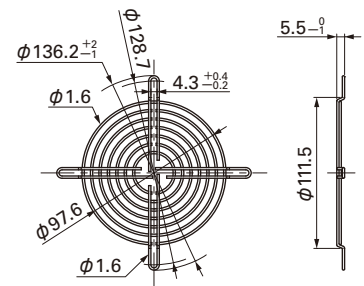


Inlet nozzle : Nozzle mounted in fan inlet side to adjust the flow of introduced air

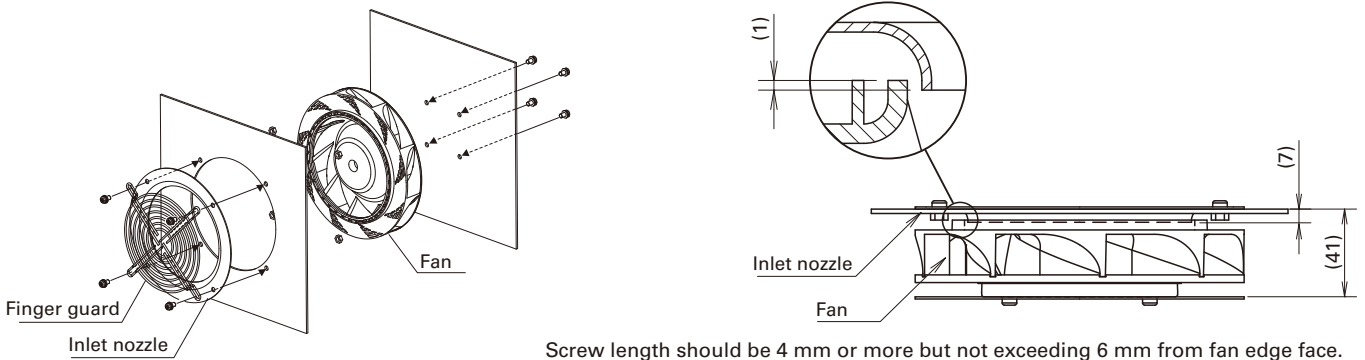
### Finger guards

Model : 109-1104 Surface treatment : Nickel-chrome plating (silver) Color (silver)  
 : 109-1104H : Cation electropainting (black)

Inlet side



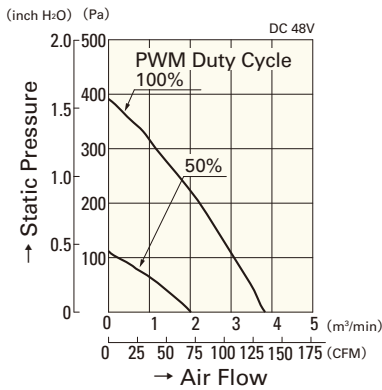
## Reference diagram for mounting



Screw length should be 4 mm or more but not exceeding 6 mm from fan edge face.

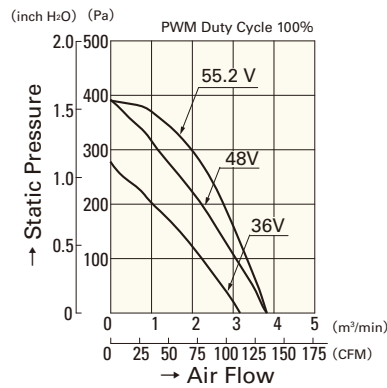
## Air Flow - Static Pressure Characteristics

### PWM Duty Cycle



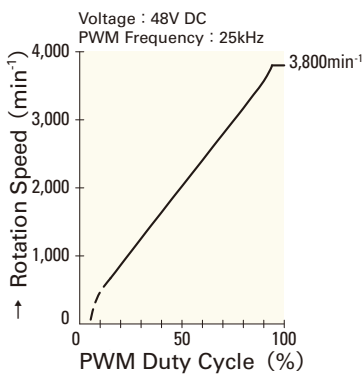
9W1TN48P1H01

### Operating Voltage Range



9W1TN48P1H01

## PWM Duty Speed Characteristics Example



9W1TN48P1H01