

San Ace140L 9LG type

Long Life Fan

Features

Long Service Life

This fan achieves an expected life as long as 180,000 hours, which is 3 times that of our current model⁽¹⁾.

High Airflow and High Static Pressure

It also delivers a maximum airflow of 9.0 m³/min and maximum static pressure of 655 Pa.⁽²⁾

Compared with the current model⁽¹⁾, the maximum airflow has been increased to 1.1 times and maximum static pressure has been increased to 2.7 times.

High Energy Efficiency and Low Noise

Power consumption has been reduced by 35%⁽³⁾ compared with the current model⁽¹⁾. The PWM control function enables the external control of fan speed, contributing to the lower noise and higher energy efficiency of devices.

(1) Current model: *San Ace 140L* 9LB type 140 × 140 × 51 mm Long Life Fan (model no. 9LB14□□S501).

(2) The values are for 9LG14□□P5G001 models, where □'s are wildcard characters.

(3) The values are for 9LG14□□P5S001 models, where □'s are wildcard characters.



140×140×51 mm

Specifications

The models listed below **have pulse sensors with PWM control function.**

Model no.	Rated voltage [V]	Operating voltage range [V]	PWM duty cycle* [%]	Rated current [A]	Rated input [W]	Rated speed [min ⁻¹]	Max. airflow [m ³ /min] [CFM]	Max. static pressure [Pa] [inchH ₂ O]	SPL [dB(A)]	Operating temperature [°C]	Expected life [h]
9LG1412P5G001	12	10.2 to 13.8	100	5.16	62	7500	9.0 318	655 2.63	69	-20 to +70	180000/60°C
			20	0.31	3.72	2300	2.75 97	80 0.32	38		
9LG1412P5S001			100	1.83	22	5000	6.0 212	295 1.18	57		
			20	0.31	3.72	2300	2.75 97	80 0.32	38		
9LG1424P5G001	24	20.4 to 27.6	100	2.58	62	7500	9.0 318	655 2.63	69		
			20	0.16	3.84	2300	2.75 97	80 0.32	38		
9LG1424P5S001			100	0.91	22	5000	6.0 212	295 1.18	57		
			20	0.16	3.84	2300	2.75 97	80 0.32	38		
9LG1448P5G001	48	40.8 to 55.2	100	1.29	62	7500	9.0 318	655 2.63	69		
			20	0.12	5.76	2300	2.75 97	80 0.32	38		
9LG1448P5S001			100	0.45	22	5000	6.0 212	295 1.18	57		
			20	0.12	5.76	2300	2.75 97	80 0.32	38		

* PWM frequency: 25 kHz. Fan does not rotate when PWM duty cycle is 0%.

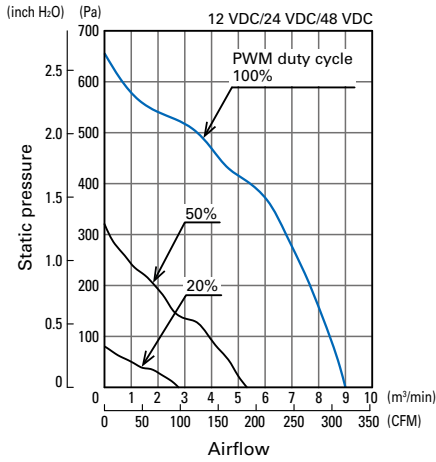
Models with the following sensor specifications are also available as options: **Lock sensor**

Common Specifications

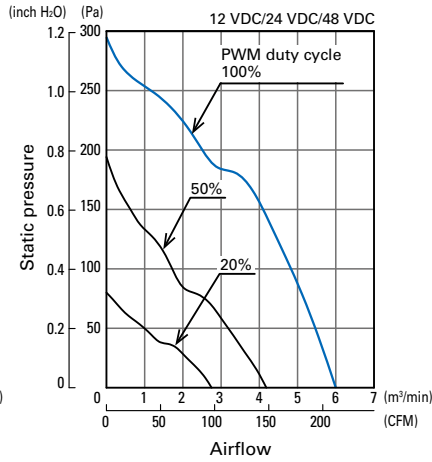
- Material Frame: Aluminum (Black coating), Impeller: Plastic (Flammability: UL 94V-0)
- Expected life See the table below.
(L10 life: 90% survival rate for continuous operation in free air at 60°C, rated voltage)
- Motor protection system Current blocking function and reverse polarity protection
- Dielectric strength 50/60 Hz, 500 VAC, for 1 minute (between lead wire conductors and frame)
- Sound pressure level (SPL) At 1 m away from the air inlet
- Operating temperature Refer to specifications (Non-condensing)
- Storage temperature -30 to +70°C (Non-condensing)
- Lead wire ⊕ Red ⊖ Black **Sensor** Yellow **Control** Brown
- Mass Approx. 790 g

Airflow - Static Pressure Characteristics

• PWM duty cycle

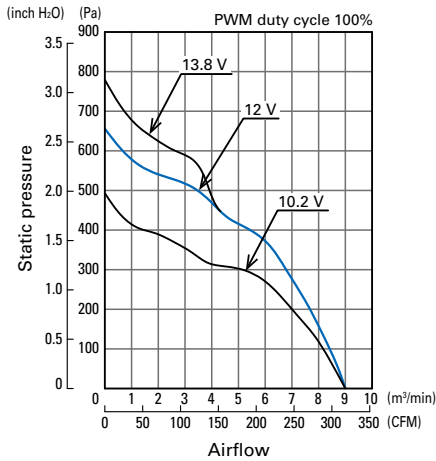


9LG1412P5G001
9LG1424P5G001
9LG1448P5G001

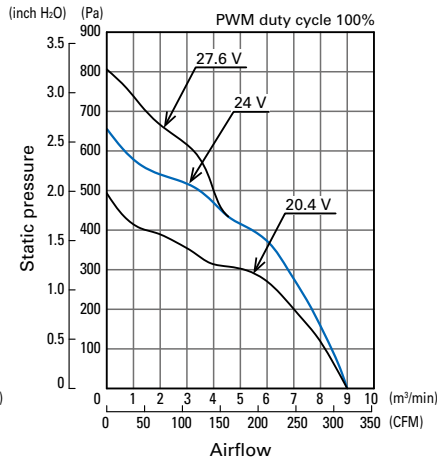


9LG1412P5S001
9LG1424P5S001
9LG1448P5S001

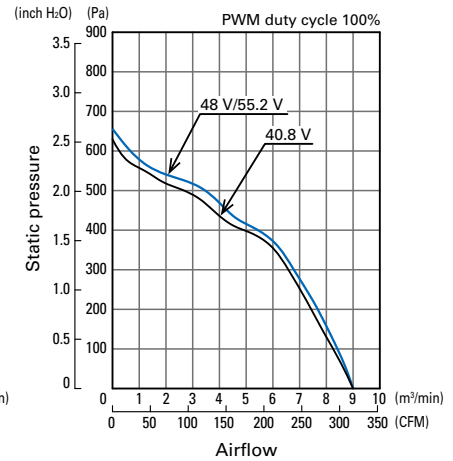
• Operating voltage range



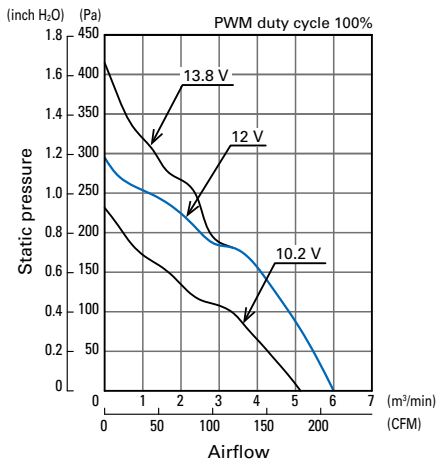
9LG1412P5G001



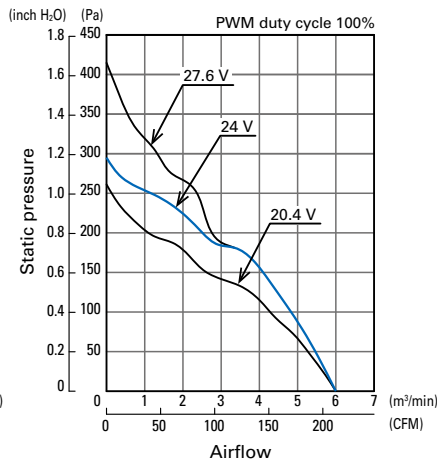
9LG1424P5G001



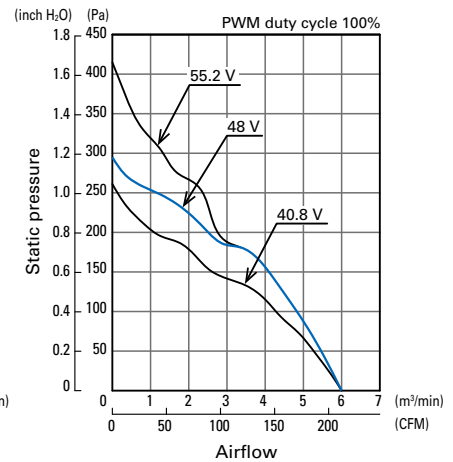
9LG1448P5G001



9LG1412P5S001

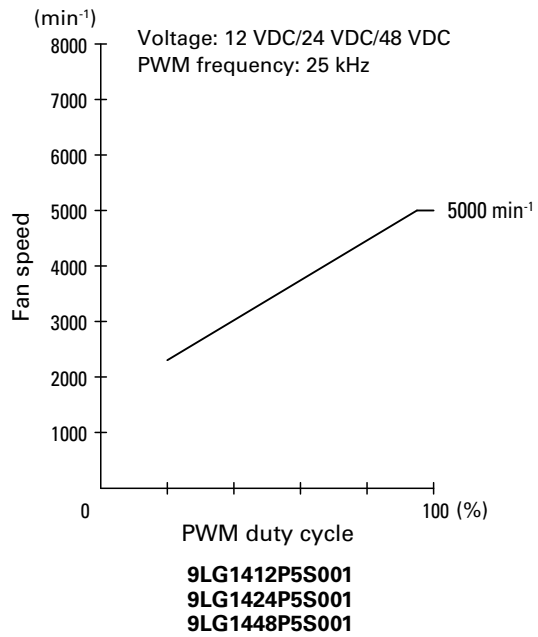
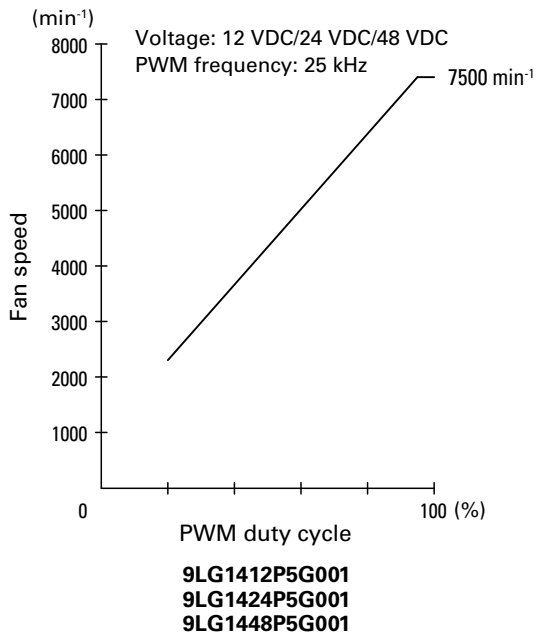


9LG1424P5S001



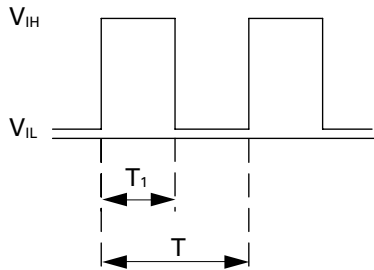
9LG1448P5S001

PWM Duty - Speed Characteristics Example



PWM Input Signal Example

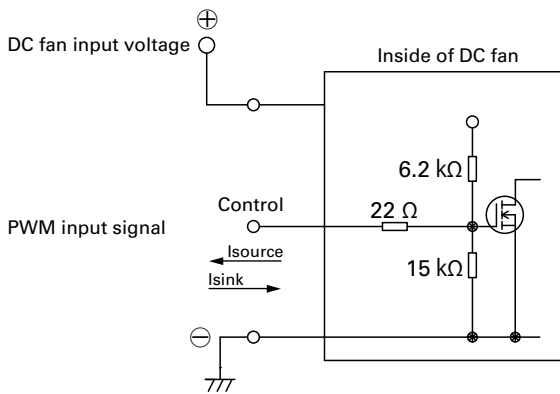
Input signal waveform



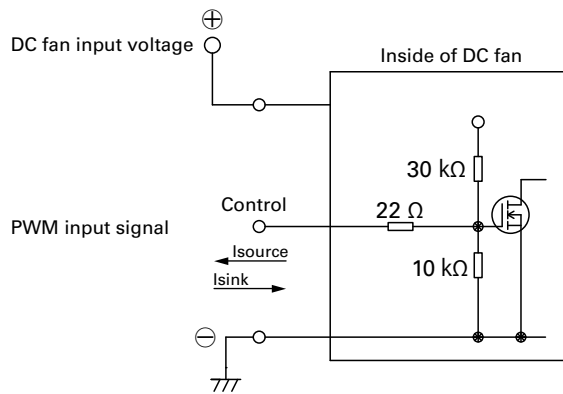
$V_{IH} = 4.75 \text{ to } 5.25 \text{ V}$ $V_{IL} = 0 \text{ to } 0.4 \text{ V}$
 $\text{PWM duty cycle (\%)} = \frac{T_1}{T} \times 100$ $\text{PWM frequency } 25 \text{ (kHz)} = \frac{1}{T}$
 Current source (I_{source}) = 1 mA max. (when control voltage is 0 V)
 Current sink (I_{sink}) = 1 mA max. (when control voltage is 5.25 V)
 Control terminal voltage = 5.25 V max. (when control terminal is open)

When the control terminal is open, fan speed is the same as when PWM duty cycle is 100%.
 Either TTL input, open collector or open drain can be used for PWM control input signal.

Example of Connection Schematic



Rated voltage 12 V fan

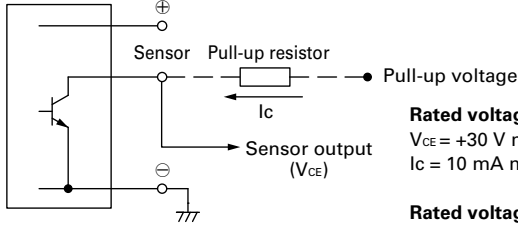


Rated voltage 24 V/48 V fan

Specifications for Pulse Sensors

Output circuit: Open collector

Inside of DC fan



Rated voltage 12 V/24 V fan

$V_{CE} = +30\text{ V max.}$

$I_C = 10\text{ mA max.}$ [$V_{OL} = V_{CE}(\text{SAT}) = 0.6\text{ V max.}$]

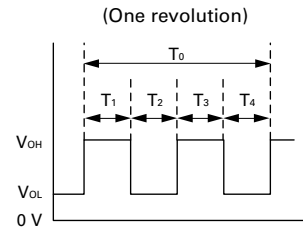
Rated voltage 48 V fan

$V_{CE} = +60\text{ V max.}$

$I_C = 10\text{ mA max.}$ [$V_{OL} = V_{CE}(\text{SAT}) = 0.6\text{ V max.}$]

Output waveform (Need pull-up resistor)

In case of steady running

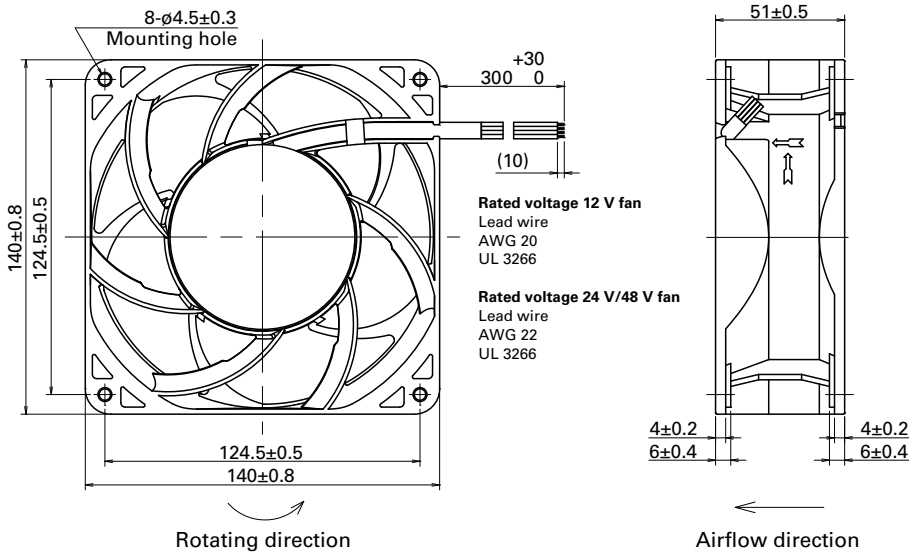


$T_{1\text{ to }4} \doteq (1/4) T_0$

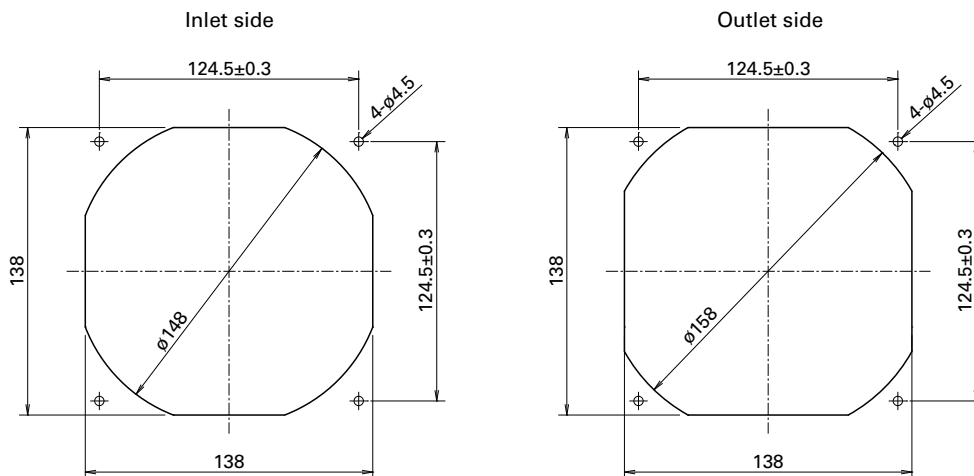
$T_{1\text{ to }4} \doteq (1/4) T_0 = 60/4N\text{ (s)}$

$N = \text{Fan speed (min}^{-1}\text{)}$

Dimensions (unit: mm)



Reference Dimensions of Mounting Holes and Vent Opening (unit: mm)



Notice

- Please read the "Safety Precautions" on our website before using the product.
- The products shown in this catalog are subject to Japanese Export Control Law. Diversion contrary to the law of exporting country is prohibited.
- For protecting fan bearings against electrolytic corrosion near strong electromagnetic noise sources, we provide effective countermeasures such as Electrolytic Corrosion Proof Fans and EMC guards. Contact us for details.

SANYO DENKI CO., LTD. 3-33-1 Minami-Otsuka, Toshima-ku, Tokyo 170-8451, Japan TEL: +81 3 5927 1020

<https://www.sanyodenki.com>

The names of companies and/or their products specified in this catalog are the trade names, and/or trademarks and/or registered trademarks of such respective companies. "San Ace" is a trademark of SANYO DENKI CO., LTD.

Specifications are subject to change without notice.

CATALOG No. C1077B002 '18.3