

140 mm sq.

San Ace 140



General Specifications

- Material Frame: Aluminum (Flammability: UL94V-1),
Impeller: Plastics (Flammability: UL94V-1)
- Expected Life Refer to specifications (L10:Survival rate:90% at 60°C ,
rated voltage, and continuously run in a free air state)
- Lead Wire ⊕red ⊖black (Sensor) yellow (Control) brown
- Storage Temperature -30°C to +70°C (Non-condensing)

140×140×38mm [Mass : 630g] **9GV type**

Specifications

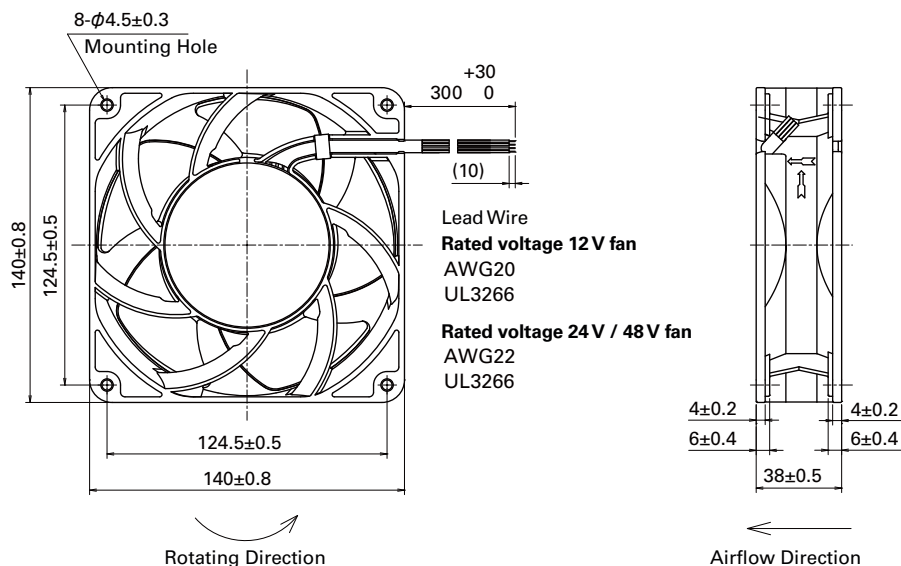
The following nos. **have PWM controls and pulse sensors.**

Model No.	Rated Voltage [V]	Operating Voltage Range [V]	PWM duty cycle ^{Note1)} [%]	Rated Current [A]	Rated Input [W]	Rated Speed [min ⁻¹]	Max. Airflow [m ³ /min] [CFM]	Max. Static Pressure [Pa] [inchH ₂ O]	SPL [dB(A)]	Operating Temperature [°C]	Expected Life [h]
9GV1412P1G001	12	10.8 to 13.2	100	4.6	55.20	7,600	8.80 310	640 2.57	70	-20 to +70	40,000/60°C
			20	0.26	3.12	2,300	2.66 93	80 0.32	39		
9GV1412P1S001			100	3.1	37.20	6,650	7.70 272	480 1.93	67		
			20	0.26	3.12	2,300	2.66 93	80 0.32	39		
9GV1412P1H001			100	1.7	20.40	5,200	6.00 212	300 1.20	62		
			20	0.26	3.12	2,300	2.66 93	80 0.32	39		
9GV1424P1G001	24	21.6 to 26.4	100	2.3	55.20	7,600	8.80 310	640 2.57	70		
			20	0.13	3.12	2,300	2.66 93	80 0.32	39		
9GV1424P1S001			100	1.55	37.20	6,650	7.70 272	480 1.93	67		
			20	0.13	3.12	2,300	2.66 93	80 0.32	39		
9GV1424P1H001			100	0.85	20.40	5,200	6.00 212	300 1.20	62		
			20	0.13	3.12	2,300	2.66 93	80 0.32	39		
9GV1448P1G001	48	36 to 60	100	1.15	55.20	7,600	8.80 310	640 2.57	70		
			20	0.11	5.28	2,300	2.66 93	80 0.32	39		
9GV1448P1S001			100	0.78	37.44	6,650	7.70 272	480 1.93	67		
			20	0.11	5.28	2,300	2.66 93	80 0.32	39		
9GV1448P1H001			100	0.42	20.16	5,200	6.00 212	300 1.20	62		
			20	0.11	5.28	2,300	2.66 93	80 0.32	39		

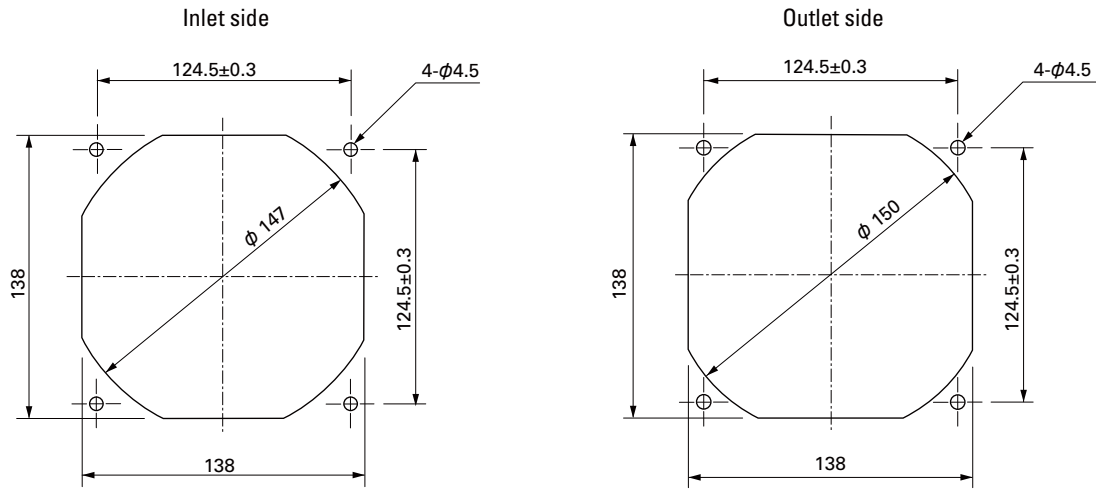
Note: Fan does not rotate when PWM duty cycle is 0%.

※PWM Frequency : 25kHz

Dimensions (unit: mm)



Reference Dimensions of Mounting Holes and Vent Opening (unit: mm)



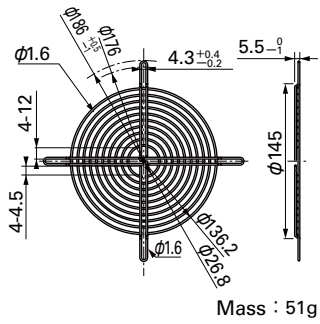
Options (unit: mm)

Finger Guards

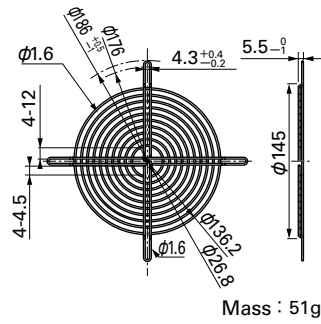
Model : 109-719 Surface treatment : Nickel-chrome plating (silver) Color (silver)

Model : 109-719H Surface treatment : Cation electropainting (black) Color (black)

Inlet side, Outlet side



Inlet side, Outlet side



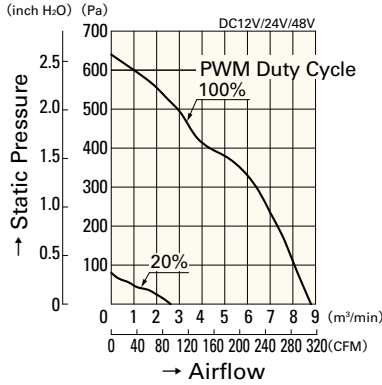
140mm sq.

San Ace 140

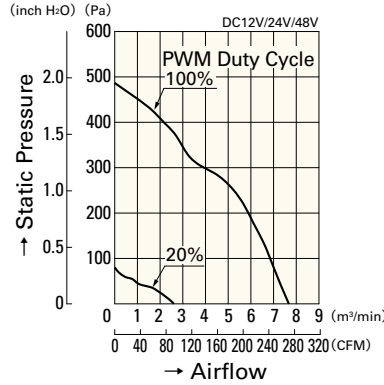
140×140×38mm [Mass : 630g]

Airflow - Static Pressure Characteristics

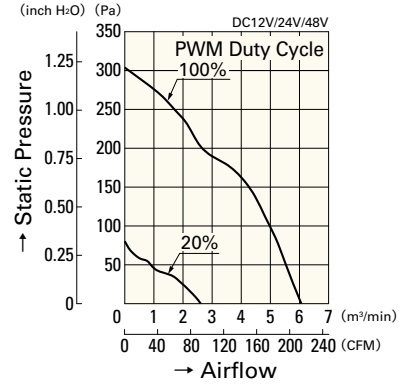
PWM Duty Cycle



9GV1412P1G001
9GV1424P1G001
9GV1448P1G001

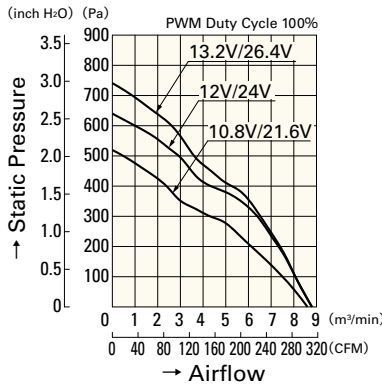


9GV1412P1S001
9GV1424P1S001
9GV1448P1S001

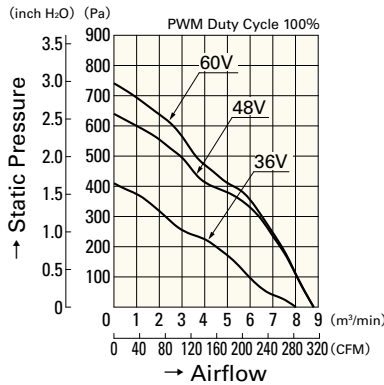


9GV1412P1H001
9GV1424P1H001
9GV1448P1H001

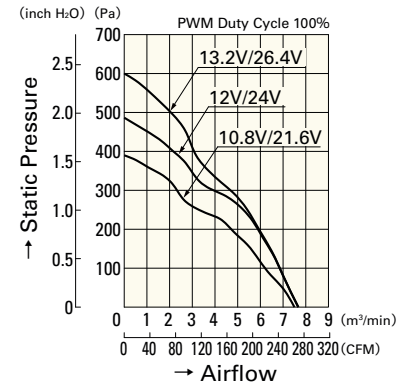
Operating Voltage Range



9GV1412P1G001
9GV1424P1G001

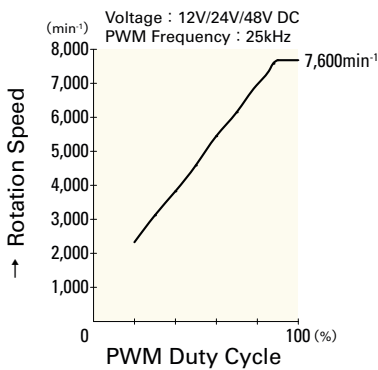


9GV1448P1G001

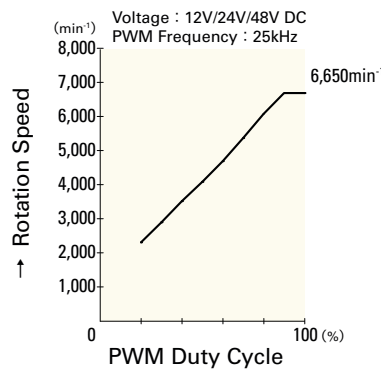


9GV1412P1S001
9GV1424P1S001

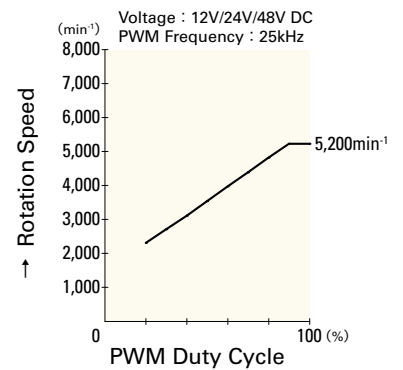
PWM Duty - Speed Characteristics Example



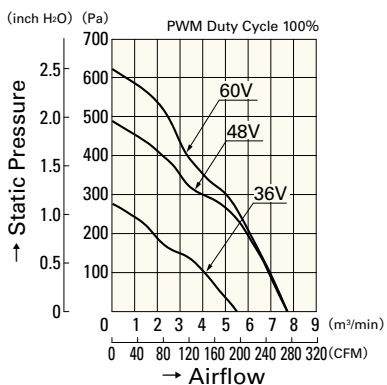
9GV1412P1G001
9GV1424P1G001
9GV1448P1G001



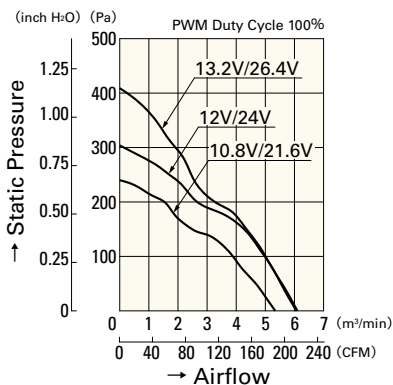
9GV1412P1S001
9GV1424P1S001
9GV1448P1S001



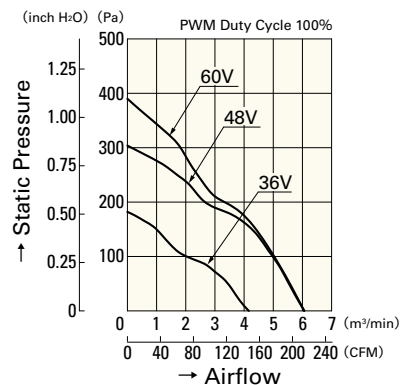
9GV1412P1H001
9GV1424P1H001
9GV1448P1H001



9GV1448P1S001



9GV1412P1H001
9GV1424P1H001



9GV1448P1H001