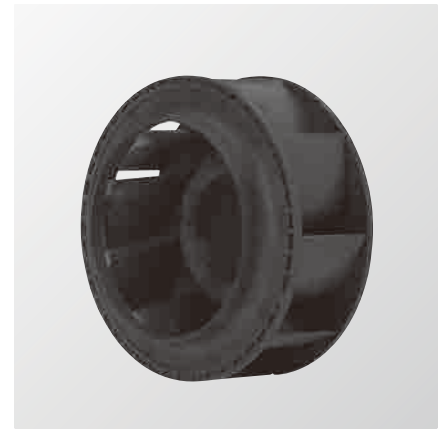


**φ133mm**

# San Ace 133W



## General Specifications

- Material..... Motor case: Aluminum (Black coating),  
Impeller: Plastics (Flammability: UL94V-0)
- Expected Life ..... Refer to specifications (Indoor, L10:Survival rate: 90% at 60°C ,  
rated voltage, and continuously run in a free air state)
- Lead Wire ..... ⊕red ⊖black (Sensor) yellow (Control) brown
- Storage Temperature ..... -30°C to +70°C (Non-condensing)

**φ133mm×91mm** (Mass : 720g) **IP 54 9W type**

## Specifications

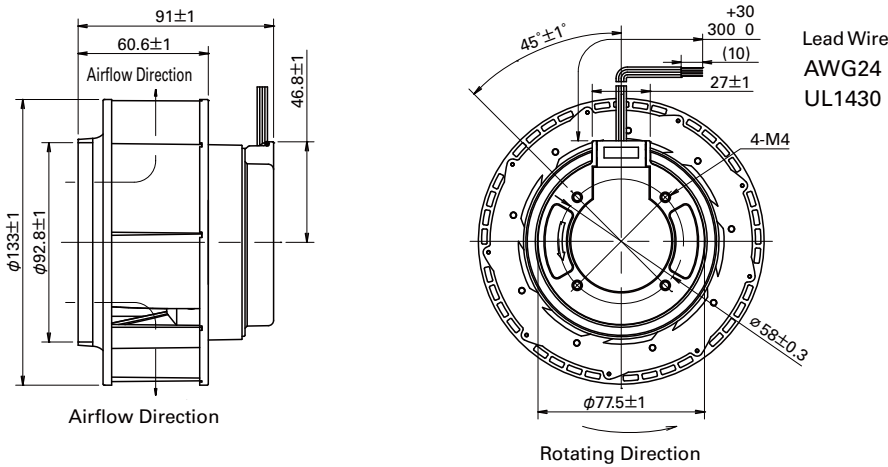
When our inletnozzle [Option (Model : 109-1069)] is mounted. The following nos. **have PWM controls and pulse sensors.**

Model No.	Rated Voltage [V]	Operating Voltage Range [V]	PWM duty cycle <sup>Note1)</sup> [%]	Rated Current [A]	Rated Input [W]	Rated Speed [min <sup>-1</sup> ]	Max. Airflow [m <sup>3</sup> /min] [CFM]	Max. Static Pressure [Pa] [inchH <sub>2</sub> O]	SPL [dB(A)]	Operating Temperature [°C]	Expected Life <sup>Note2)</sup> [h]
9W1TJ24P0H61	24	20.4 to 27.6	100	1.2	28.8	4,150	6.39 225	395 1.59	61	-20 to +70	40,000/60°C (70,000/40°C)
9W1TJ48P0H61	48	36 to 60	100	0.55	26.4	4,150	6.39 225	395 1.59	61		

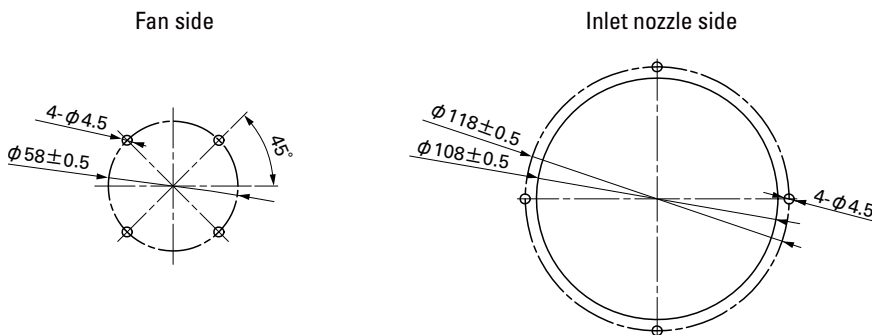
Note 1: Fan does not rotate when PWM duty cycle is 0%.  
Note 2: Expected life at 40°C ambient is just reference value.  
Max input is 45W at rated voltage.

※PWM Frequency : 25kHz

## Dimensions (unit: mm)



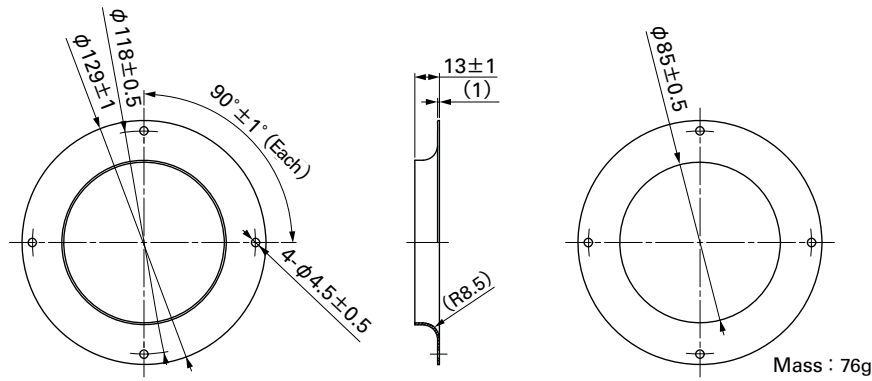
## Reference Dimensions of Mounting Holes and Vent Opening (unit: mm)



**Options (unit: mm)**

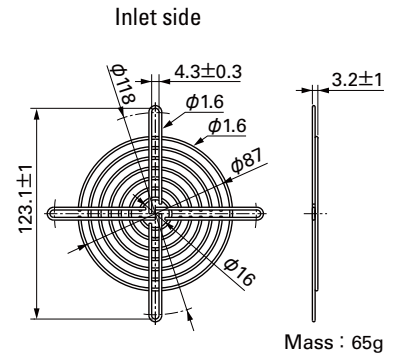
**Inlet Nozzle**

Model: 109-1069 Material: Steel sheet Surface treatment: Electro nickel plating (silver)  
 : 109-1069H : Steel sheet : Cation electropainting (black)



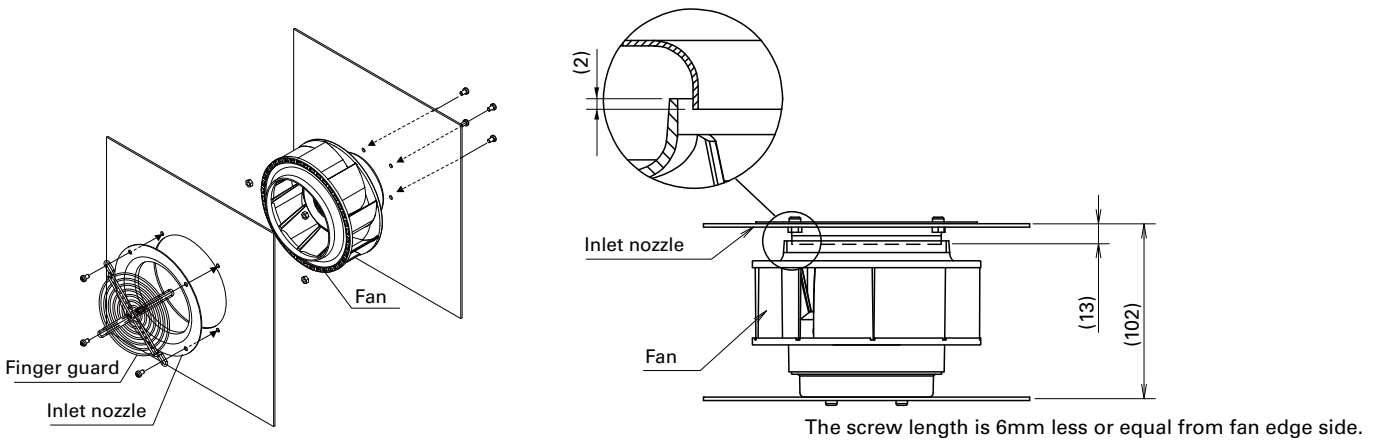
**Finger Guards**

Color  
 Model: 109-1112 Surface treatment: Nickel-chrome plating (silver)



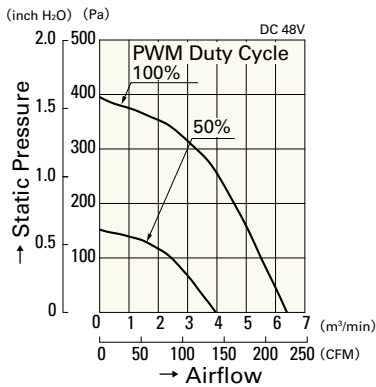
Inlet nozzle: Nozzle mounted in fan inlet side to adjust the flow of introduced air

**Reference Diagram for Mounting**



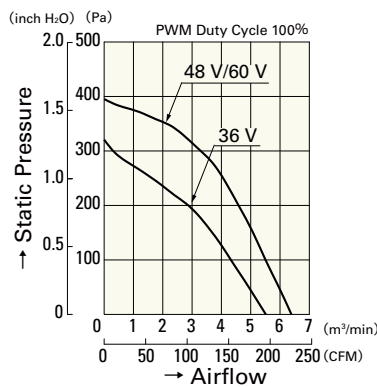
**Airflow - Static Pressure Characteristics**

**PWM Duty Cycle**



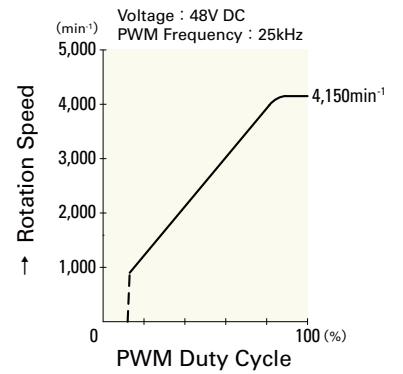
**9W1TJ48P0H61**

**Operating Voltage Range**

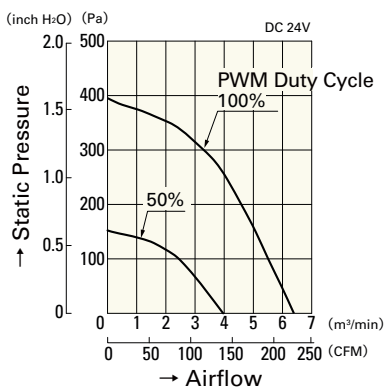


**9W1TJ48P0H61**

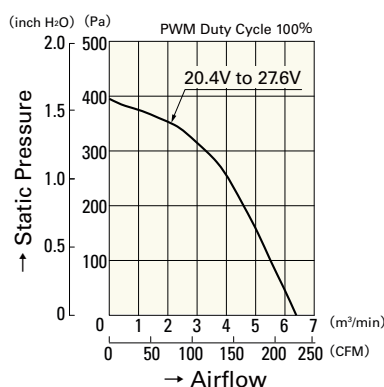
**PWM Duty Speed Characteristics Example**



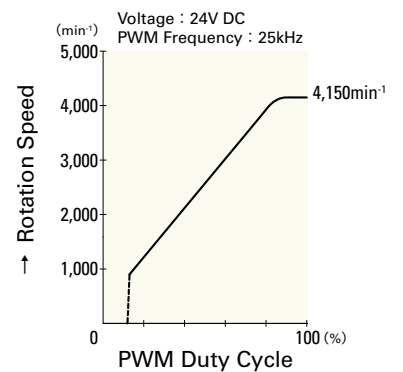
**9W1TJ48P0H61**



**9W1TJ24P0H61**



**9W1TJ24P0H61**



**9W1TJ24P0H61**

DC  
 Splash Proof Centrifugal Fan 133mm