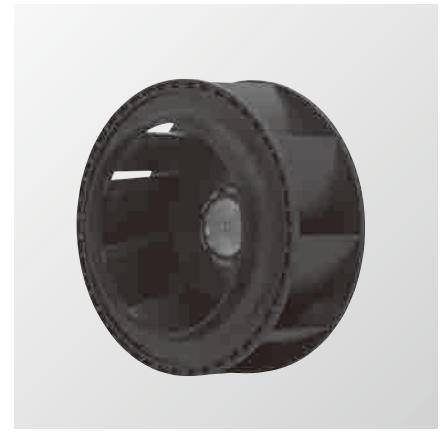


φ133mm

San Ace C133



General Specifications

- Material..... Motor case: Aluminum,
Impeller: Plastics (Flammability: UL94V-0)
- Expected Life Refer to specifications (L10:Survival rate: 90% at 60°C ,
rated voltage, and continuously run in a free air state)
- Lead Wire ⊕red ⊖black (Sensor) yellow (Control) brown
- Storage Temperature -30°C to +70°C (Non-condensing)

φ133mm×91mm (Mass : 660g) **9TJ type**

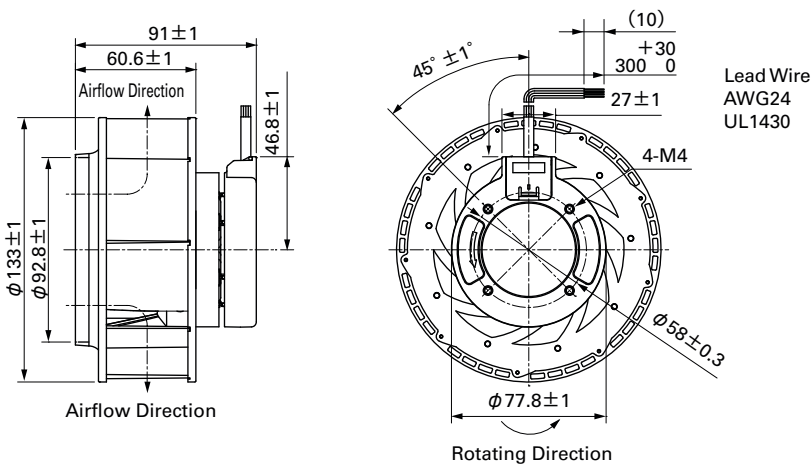
Specifications When our inletnozzle [Option (Model : 109-1069)] is mounted. The following nos. **have PWM controls and pulse sensors.**

Model No.	Rated Voltage [V]	Operating Voltage Range [V]	PWM duty cycle ^{Note①} [%]	Rated Current [A]	Rated Input [W]	Rated Speed [min ⁻¹]	Max. Airflow [m ³ /min] [CFM]	Max. Static Pressure [Pa] [inchH ₂ O]	SPL [dB(A)]	Operating Temperature [°C]	Expected Life [h]
9TJ24P0H61	24	20.4 to 27.6	100	1.2	28.8	4,150	6.39 226	395 1.59	61	-20 to +70	40,000/60°C
9TJ48P0H01	48	36 to 72	100	0.55	26.4	4,150	6.39 226	395 1.59	61		

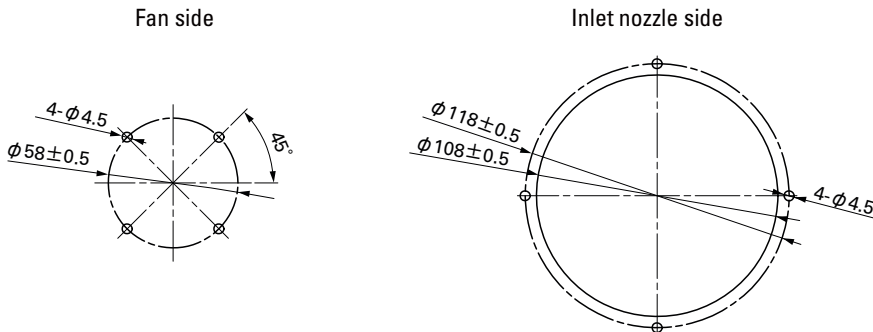
Note : Fan does not rotate when PWM duty cycle is 0%.

*PWM Frequency : 25kHz

Dimensions (unit: mm)



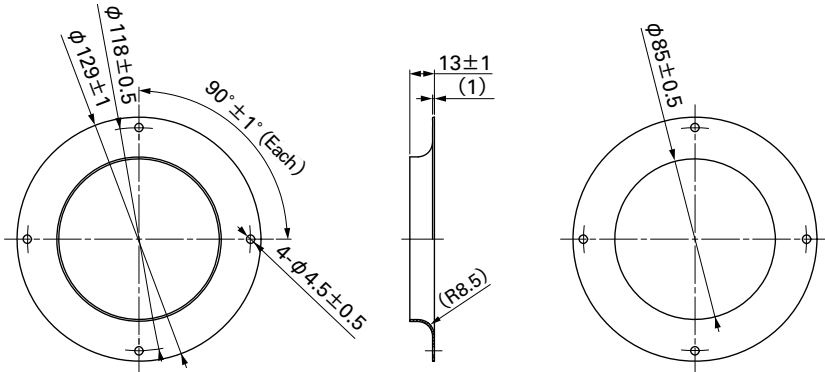
Reference Dimensions of Mounting Holes and Vent Opening (unit: mm)



Options (unit: mm)

Inlet Nozzle

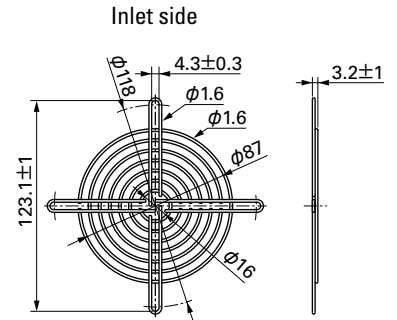
Model : 109-1069 Material : Steel sheet Surface treatment : Electro nickel plating Color (silver)
 : 109-1069H : Steel sheet : Cation electropainting (black)



Mass : 76g

Finger Guards

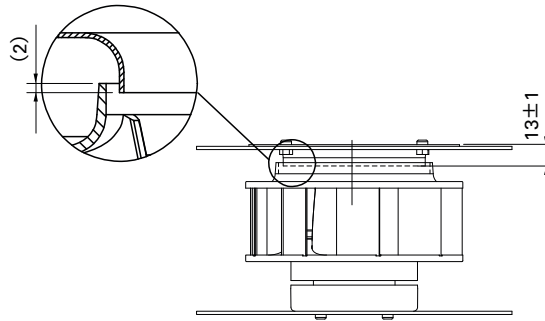
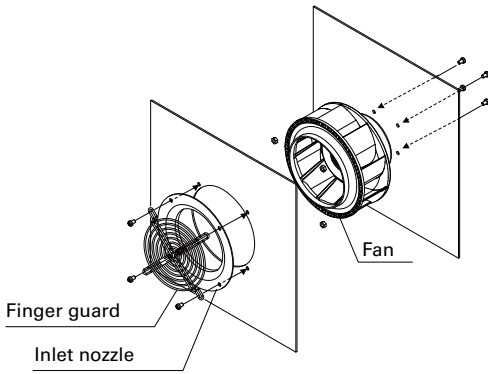
Model : 109-1112 Surface treatment : Nickel-chrome plating (silver) Color (silver)



Mass : 65g

Inlet nozzle : Nozzle mounted in fan inlet side to adjust the flow of introduced air

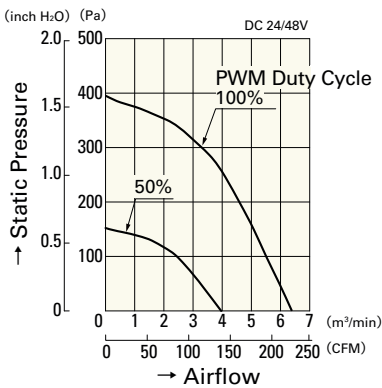
Reference Diagram for Mounting



The screw length is 6mm less or equal from fan edge side.

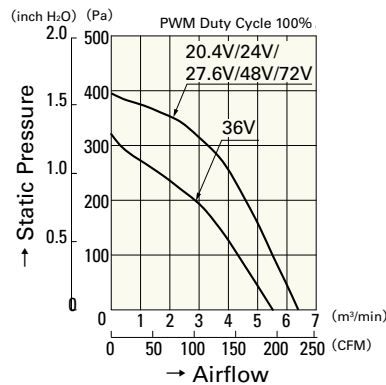
Airflow - Static Pressure Characteristics

PWM Duty Cycle



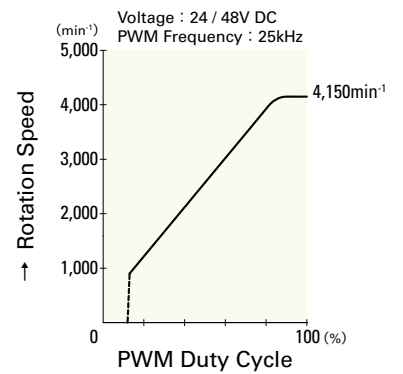
9TJ24P0H61
9TJ48P0H01

Operating Voltage Range



9TJ24P0H61
9TJ48P0H01

PWM Duty Speed Characteristics Example



9TJ24P0H61
9TJ48P0H01