



# 127×127×38 mm

San Ace 127 9E type

## General Specifications

- Material ..... Frame: Aluminum, Impeller: Plastic (Flammability: UL 94V-0)
- Expected life ..... See the table below. (L10 life: 90% survival rate for continuous operation in free air at 60°C, rated voltage)
- Motor protection function ..... Locked rotor burnout protection, Reverse polarity protection  
For details, please refer to p. 529.
- Dielectric strength ..... 50/60 Hz, 500 VAC, for 1 minute (between lead wire conductors and frame)
- Insulation resistance ..... 10 MΩ or more with a 500 VDC megger (between lead wire conductors and frame)
- Sound pressure level (SPL) ..... At 1 m away from the air inlet
- Storage temperature ..... -30 to +70°C (Non-condensing)
- Lead wire ..... ⊕Red ⊖Black or Blue (Sensor) Yellow
- Mass ..... 400 g

## Specifications

The models listed below **have pulse sensors.**

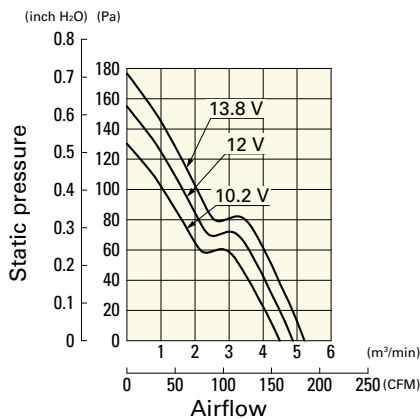
| Model no.           | Rated voltage [V] | Operating voltage range [V] | Rated current [A] | Rated input [W] | Rated speed [min <sup>-1</sup> ] | Max. airflow [m <sup>3</sup> /min] [CFM] | Max. static pressure [Pa] [inchH <sub>2</sub> O] | SPL [dB (A)] | Operating temperature [°C] | Expected life [h] |
|---------------------|-------------------|-----------------------------|-------------------|-----------------|----------------------------------|--|--|--------------|----------------------------|-------------------|
| <b>109E1312A101</b> | 12                | 10.2 to 13.8                | 1.4               | 16.8            | 3850                             | 4.81 170                                 | 155 0.622  | 52           | -20 to +70                 | 60000/60°C        |
| <b>109E1312S101</b> |                   |                             | 1.2               | 14.4            | 3450                             | 4.37 154                                 | 125 0.502  | 49           |                            |                   |
| <b>109E1324G101</b> | 24                | 20.4 to 27.6                | 1.1               | 26.4            | 4550                             | 5.66 200                                 | 216 0.867  | 57           | -20 to +60                 | 40000/60°C        |
| <b>109E1324A101</b> |                   |                             | 0.7               | 16.8            | 3850                             | 4.81 170                                 | 155 0.622  | 52           |                            |                   |
| <b>109E1324S101</b> |                   |                             | 0.53              | 12.7            | 3450                             | 4.37 154                                 | 125 0.502  | 49           |                            |                   |
| <b>109E1348G101</b> | 48                | 40.8 to 55.2                | 0.54              | 25.9            | 4550                             | 5.66 200                                 | 216 0.867  | 57           | -20 to +60                 | 40000/60°C        |
| <b>109E1348A101</b> |                   |                             | 0.36              | 17.3            | 3850                             | 4.81 170                                 | 155 0.622  | 52           |                            |                   |
| <b>109E1348S101</b> |                   |                             | 0.28              | 13.4            | 3450                             | 4.37 154                                 | 125 0.502  | 49           |                            |                   |

Other sensor specifications are available as options. Refer to the index (p. 542).

## Airflow - Static Pressure Characteristics

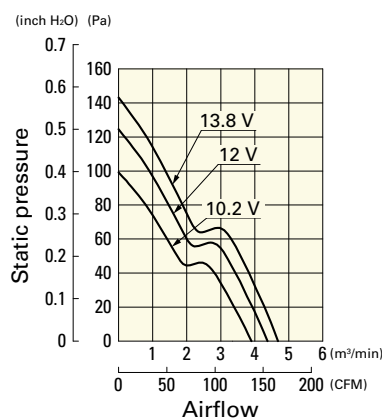
**109E1312A101** With pulse sensor

Operating voltage range



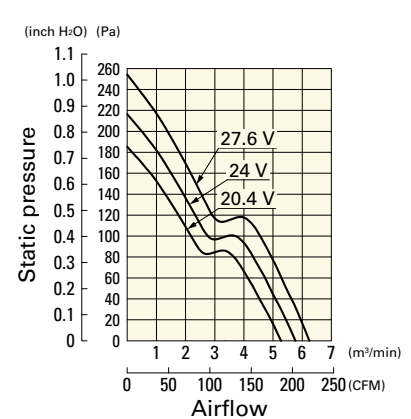
**109E1312S101** With pulse sensor

Operating voltage range



**109E1324G101** With pulse sensor

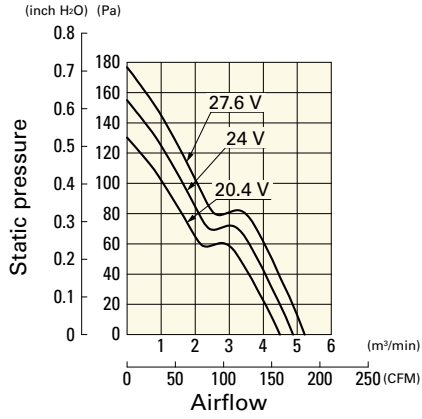
Operating voltage range



## Airflow - Static Pressure Characteristics

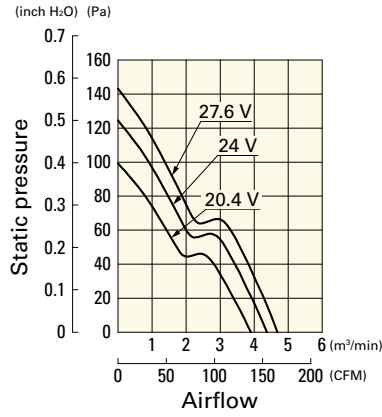
**109E1324A101** With pulse sensor

Operating voltage range



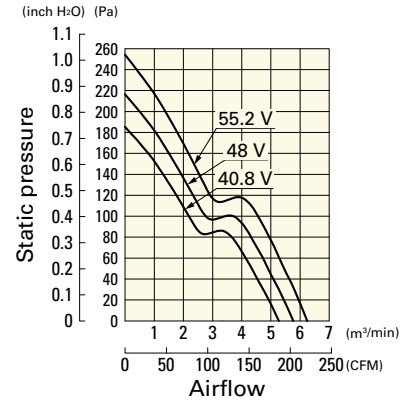
**109E1324S101** With pulse sensor

Operating voltage range



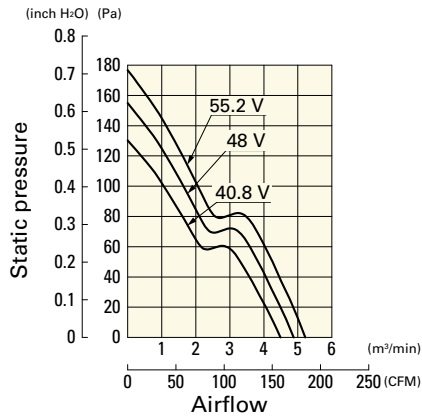
**109E1348G101** With pulse sensor

Operating voltage range



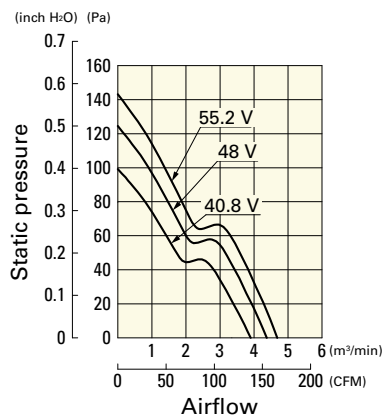
**109E1348A101** With pulse sensor

Operating voltage range

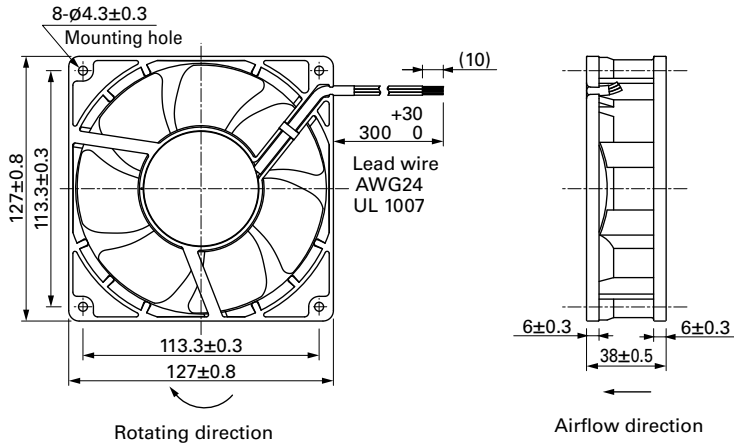


**109E1348S101** With pulse sensor

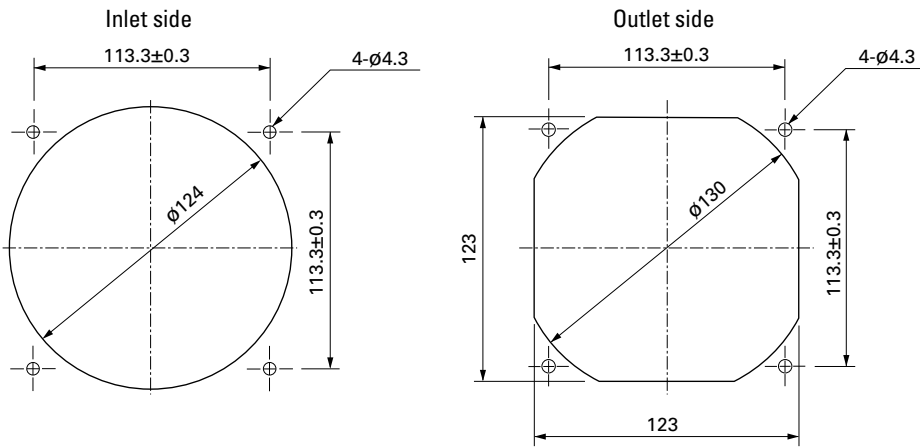
Operating voltage range



## Dimensions (unit: mm)



## Reference Dimensions of Mounting Holes and Vent Opening (unit: mm)



## Options

Finger guards

page: p. 514

Model no.: 109-722, 109-723