

120 mm sq.

San Ace 120



General Specifications

- Material Frame: Aluminum, Impeller: Plastics (Flammability: UL94V-1)
- Expected Life Refer to specifications (L10:Survival rate:90% at 60°C , rated voltage, and continuously run in a free air state)
- Lead Wire ⊕red ⊖black (Sensor) yellow (Control) brown
- Storage Temperature -30°C to +70°C (Non-condensing)

120×120×38mm (Mass : 460g) **9HV type**

Specifications

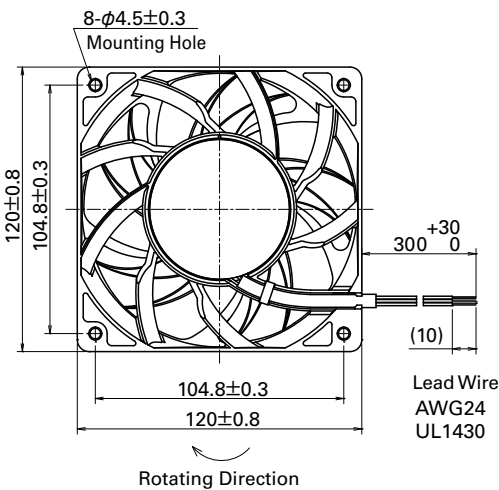
The following nos. **have PWM controls and pulse sensors.**

Model No.	Rated Voltage [V]	Operating Voltage Range [V]	PWM duty cycle* [%]	Rated Current [A]	Rated Input [W]	Rated Speed [min ⁻¹]	Max. Airflow [m ³ /min] [CFM]	Max. Static Pressure [Pa] [inchH ₂ O]	SPL [dB(A)]	Operating Temperature [°C]	Expected Life [h]
9HV1224P1A001	24	21.6 to 26.4	100	2.4	57.6	9,600	7.0 247	950 3.82	71	-20 to +70	40,000/60°C (70,000/40°C)
			0	0.37	8.88	3,800	2.7 95	161 0.65	46		
9HV1248P1G001	48	36 to 60	100	2.0	96	11,500	8.3 293	1,300 5.22	75		
			0	0.23	11	3,800	2.7 95	161 0.65	46		
9HV1248P1H001			100	1.4	67	10,000	7.2 254	1,050 4.22	72		
			0	0.23	11	3,800	2.7 95	161 0.65	46		

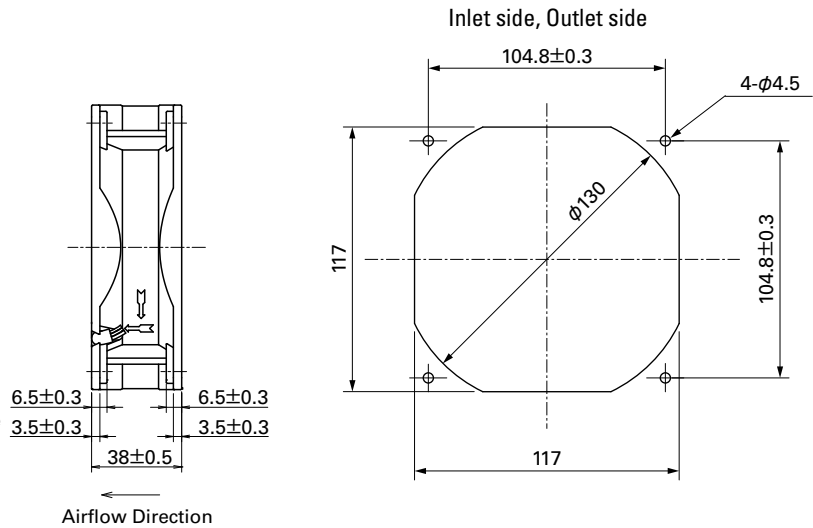
※PWM Frequency : 25kHz

Other sensor specifications are available as options. Please refer to the index (p. 509).

Dimensions (unit: mm)



Reference Dimensions of Mounting Holes and Vent Opening (unit: mm)

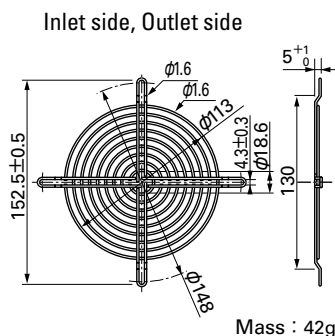
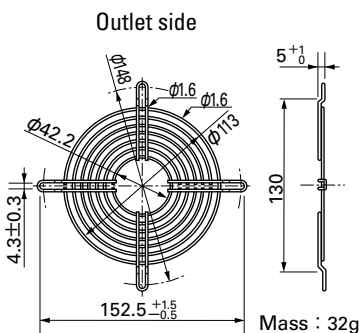


Options (unit: mm)

Finger Guards

Model : 109-019C Surface treatment : Nickel-chrome plating (silver)
: 109-019H : Cation electropainting (black)

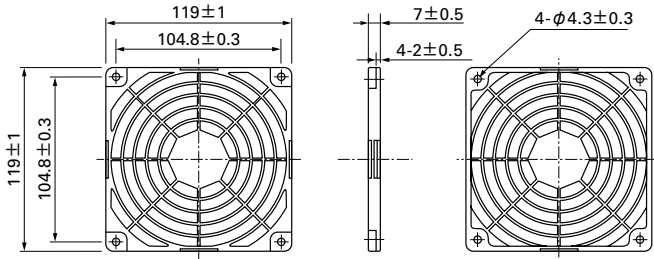
Model : 109-019E Surface treatment : Nickel-chrome plating (silver)
: 109-019K : Cation electropainting (black)



Options (unit: mm)

Resin Finger Guards

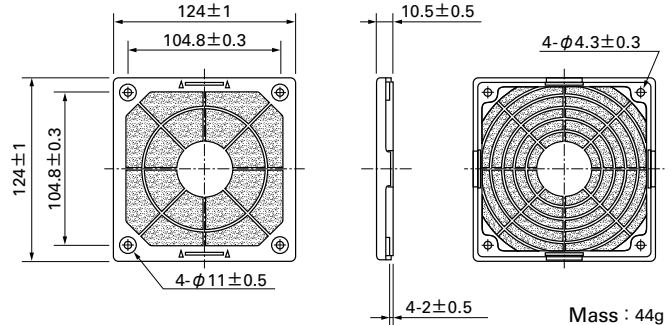
Model : 109-1000G



Mass : 23g

Resin Filter Kits

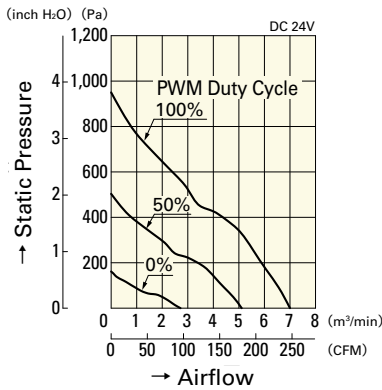
Model : 109-1000F13 (13PPI), 109-1000F20 (20PPI)
: 109-1000F30 (30PPI), 109-1000F40 (40PPI)



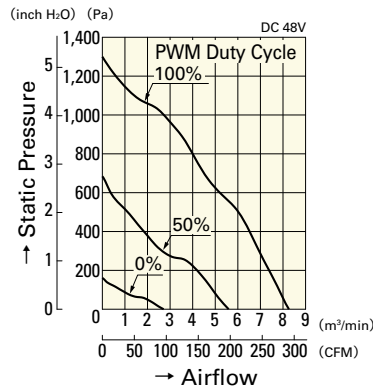
Mass : 44g

Airflow - Static Pressure Characteristics

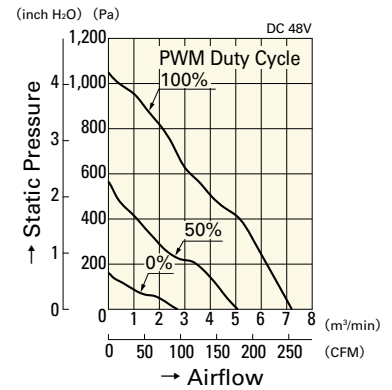
PWM Duty Cycle



9HV1224P1A001

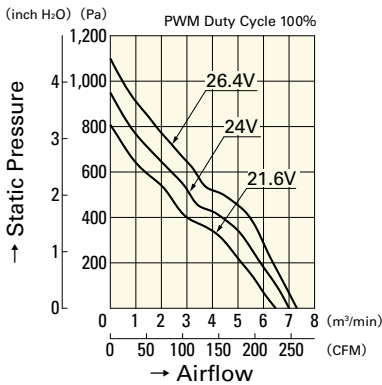


9HV1248P1G001

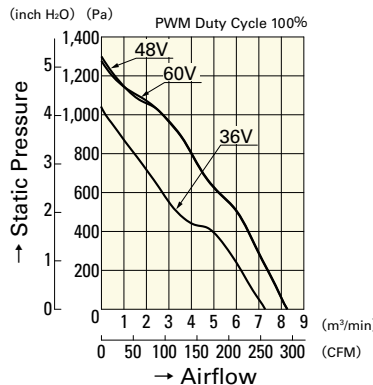


9HV1248P1H001

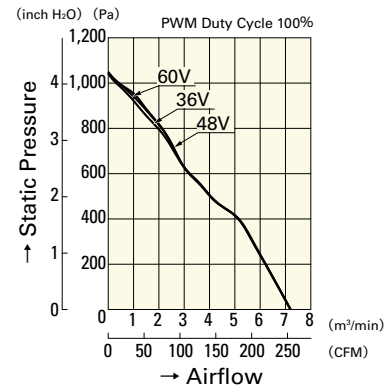
Operating Voltage Range



9HV1224P1A001

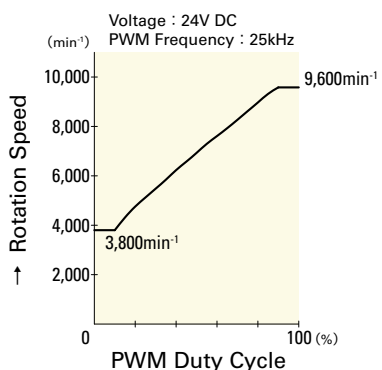


9HV1248P1G001

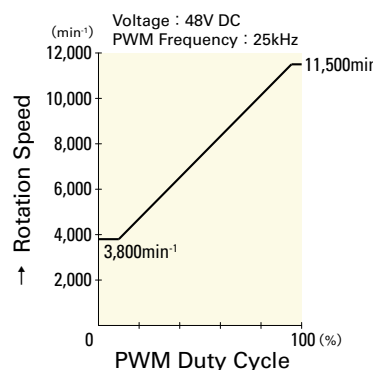


9HV1248P1H001

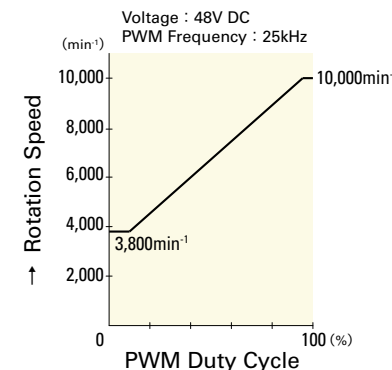
PWM Duty - Speed Characteristics Example



9HV1224P1A001



9HV1248P1G001



9HV1248P1H001