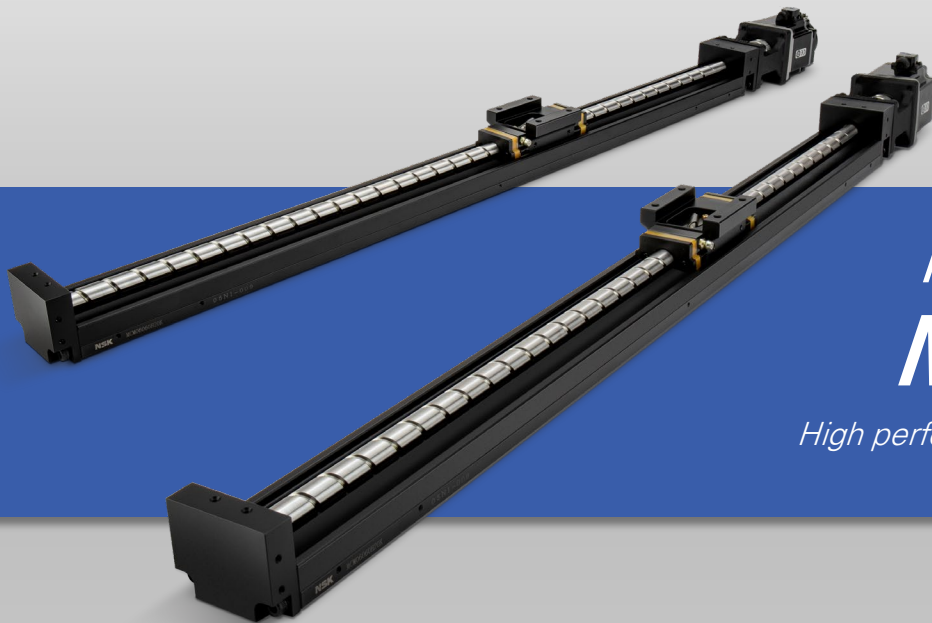


Discover

SANYO DENKI

Motion and Control



NSK

Motorized Actuator MCE model

*High performance motor with NSK Electrified
Monocarrier linear actuator*

SANMOTION R

AC SERVO SYSTEMS

*High-performance AC servo systems consisting
of servo amplifiers with advanced vibration
suppression and highly efficient servo motors.*

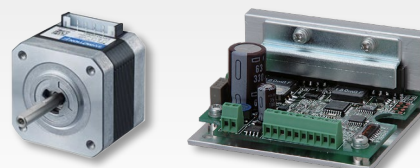


EtherCAT[®]

SANMOTION F2

2-PHASE STEPPING SYSTEMS

*With high torque, low vibration, low noise, and high
resolution. Their rich lineup is used in a wide range of
fields.*



 1.800.905.7989

SANYO DENKI AMERICA, INC.

STEPPING SYSTEM

24/36 VDC Input Bipolar Microstep Driver

42 mm sq (NEMA 17) Motor

Model Number (Actuator and Motor)	Lead	Stroke	Max Trust	Max Speed
MCE03010P01K0001SKF	1 mm	100 mm	1040 N	50 mm/s

Customize Options

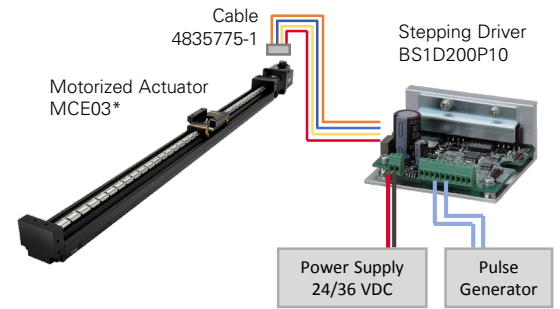
- Lead: 2, 10, 12 mm
- Stroke: 50, 150 mm

Closed loop stepping system with EtherCAT/ Indexer drive is also available.

Compatible Driver and Cable

Driver	BS1D200P10
Cable	4835775-1

System Configuration



AC SERVO SYSTEM

24 VDC Input Multi Axis EtherCAT Amplifier (Total 300 W)

40 mm sq, 30 W Motor

Model Number (Actuator and Motor)	Brake	Lead	Stroke	Max Trust	Max Speed
MCE03010P02K0001SAF		2 mm	100 mm	1040 N	100 mm/s
MCE03010P02K0001SBF	✓				

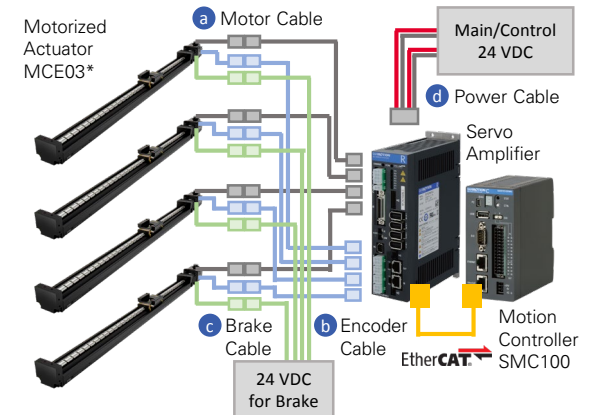
Customize Options

- Lead: 2, 10, 12 mm
- Stroke: 50 to 250 mm
- Driver I/F: Analog/Pulse, single axis EtherCAT

Compatible Amplifier and Cable

Amplifier	RF2K24A0HL5	
Cable	a: Motor	1026-107009
	b: Encoder	EEXTKABS2410FT
	c: Brake	MEXTBRK2010FT
	d: Power	AL-00921367-01

System Configuration



200 VAC input EtherCAT Amplifier

40 mm sq, 100 W Motor

Model Number (Actuator and Motor)	Brake	Lead	Stroke	Max Trust	Max Speed
MCE03015H10K0001SCF		10 mm	150 mm	704 N	830 mm/s
MCE03015H10K0001SDF	✓				

60 mm sq, 200 W Motor

Model Number (Actuator and Motor)	Brake	Lead	Stroke	Max Trust	Max Speed
MCE06030H10K0001SEF		10 mm	300 mm	2626 N	830 mm/s
MCE06030H10K0001SFF	✓				

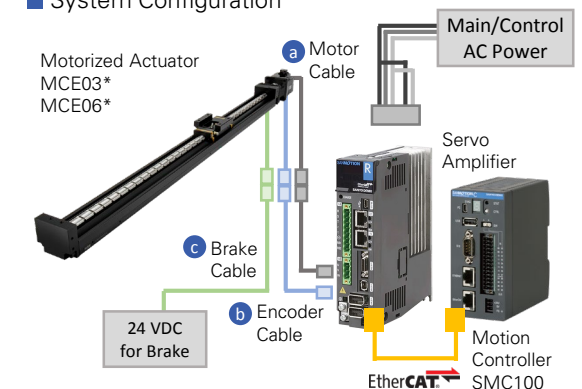
Customize Options

- Lead: 2, 10, 12 mm
- Stroke:
 - MCE03 model 50 to 250 mm
 - MCE06 model 50 to 600 mm
- Driver I/F: Analog/Pulse, Indexer

Compatible Amplifier and Cable

Amplifier	100 W motor	RS3A01A2HA4
	200 W Motor	RS3A02A2HA4
Cable	a: Motor	MEXTK1810FT
	b: Encoder	EEXTKABS2410FT
	c: Brake	MEXTBRK2010FT

System Configuration



For any inquiry, contact our sales department.

U.S. Headquarters
468 Amapola Ave. Torrance, California 90501
Tel: 1.800.905.7989
URL: www.sanyodenki.com/america